

This document was provided by

# Compu*Direct*, Inc.

As a service to our customers.

If you received this file from anywhere other than

<http://www.printermalls.com>

please let us know at

[info@printermalls.com](mailto:info@printermalls.com)

---

**Parts Listing**

The following Sections give a full parts listing of the product

Figure 11-1 Upper Cover Assy

Figure 11-2 Printer General Assy

Figure 11-3 Printer Unit

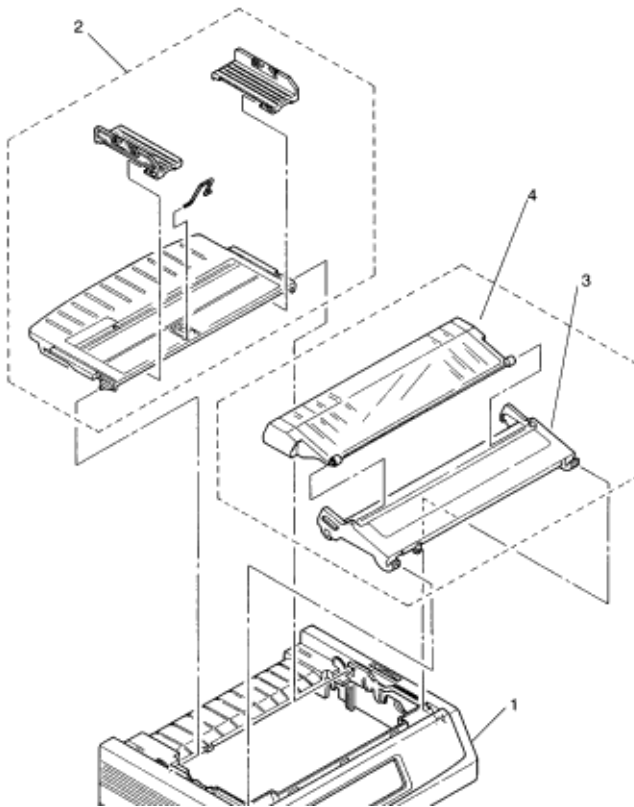
Figure 11-4 Carriage Assy

Figure 11-5 Option Spare Parts

---

Copyright 1997, Okidata, Division of OKI America, Inc. All rights reserved. See the OKIDATA Business Partner Exchange (BPX) for any updates to this material. (<http://bpx.okidata.com>)

**Figure 11-1 Upper Cover Assy**



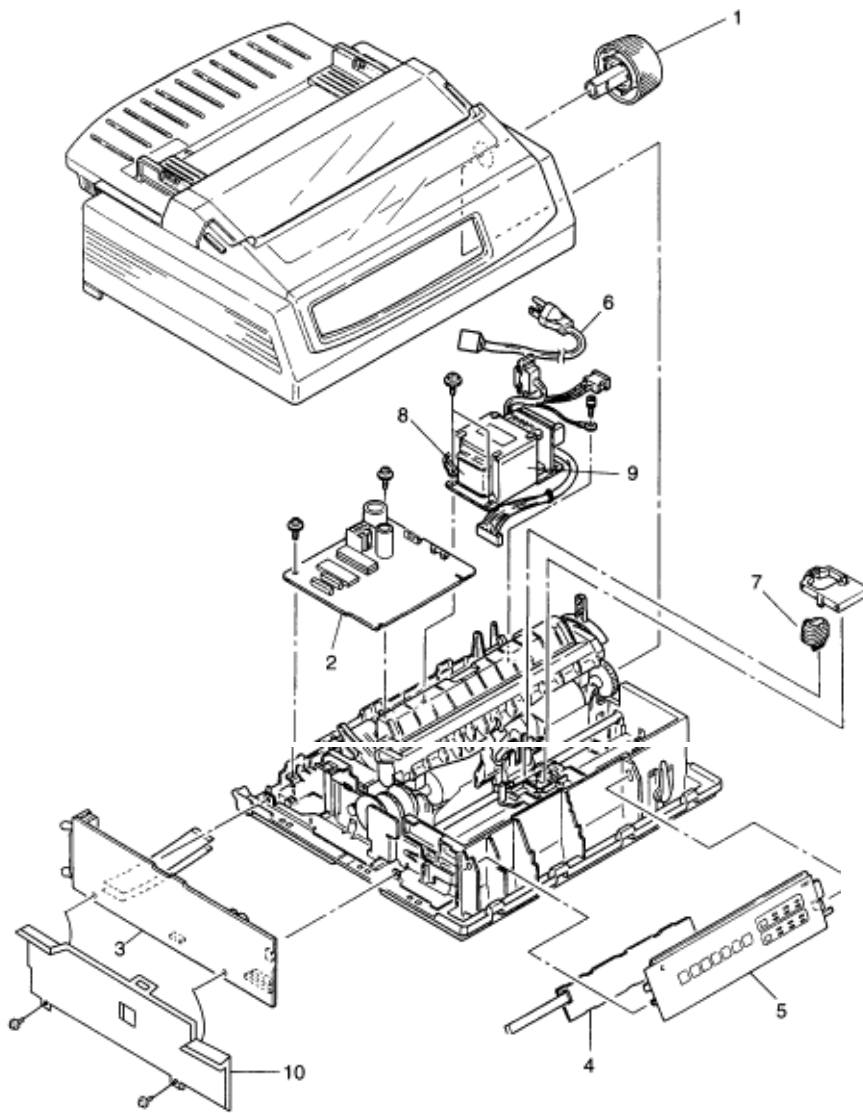
No.	Part No.	Description	Qty	Qty Reqd	Remarks	ODA P/N
1	1PP4128-1186P6	Upper cover (N)	1	2	For ML320 Turbo	For INT
	1PP4128-1186P4	Upper cover (N)	1	2	For ML320 Turbo	For OEL
	1PP4128-1186P2	Upper cover (N)	1	2	For ML320 Turbo	53076502
	1PP4128-1231P6	Upper cover (W)	1	2	For ML321 Turbo	For INT
	1PP4128-1231P4	Upper cover (W)	1	2	For ML321 Turbo	For OEL
	1PP4128-1231P2	Upper cover (W)	1	2	For ML321 Turbo	53076602

2	1PA4094-7305G10	Sheet guide assy (N)	1	2	For ML320 Turbo	51009409
	1PA4094-7308G11	Sheet guide assy (W)	1	2	For ML321 Turbo	51009510
3	2PA4128-1237G1	Access cover assy (N)	1	2	For ML320 Turbo	53076701
	2PA4128-1241G1	Access cover assy (W)	1	2	For ML321 Turbo	53076801
4	1PP4128-1188P1	Acoustic cover (N)	1	2	For ML320 Turbo	53076901
	1PP4128-1233P1	Acoustic cover (W)	1	2	For ML321 Turbo	53077001

---

Copyright 1997, Okidata, Division of OKI America, Inc. All rights reserved. See the OKIDATA Business Partner Exchange (BPX) for any updates to this material. (<http://bpx.okidata.com>)

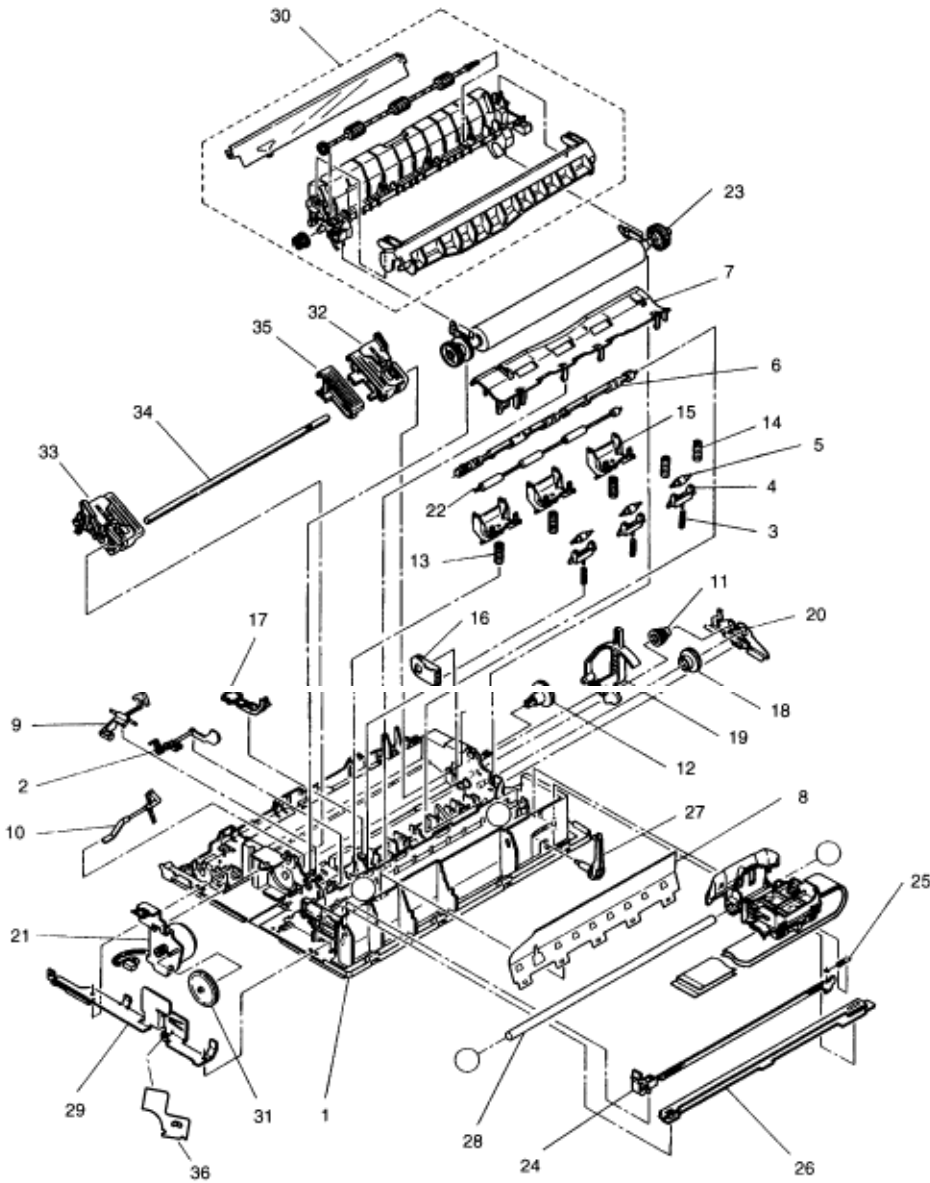
Figure 11-2 Printer General Assy



No	Part No.	Description	Q'ty	Q'ty Req	Remarks	ODA P/N
----	----------	-------------	------	----------	---------	---------

1	2PP4025-2871P20	Platen Knob	1	1		51902220
2	4YA4042-1543G301	Control/power supply board (SDCT)	1	9	For ODA/no ROM	55080801
	4YA4042-1543G302	Control/power supply board (SDCT)	1	9	For OEL	
	4YA4042-1543G303	Control/power supply board (SDCT)	1	9	For INT	
3	4YA4042-1549G1	Driver board (SDDV)	1	9	ROM	55080701
4	4YA4042-1516G3	Operator panel board (LEOP-3)	1	3		55081103
5	3PP4044-5360G1	Operation panel w/frame assy	1	2		50221901
6	3YS4011-1315P1	AC cord	1	1	For ODA	56609701
	3YS4011-1266P1	AC cord	1	1	For OEL	
	3YS4011-1329P2	AC cord A	1	1	For INT	
	3YS4011-1269P1	AC cord for 230V	1	1		
7	4YA4023-3301G1	Printhead (9)	1	10		50114601
8	4YB4042-1553P1	Fuse 237002 (125V 2A)	1	10	For 120V	
	4YB4042-1552P1	Fuse 217001 (250V 1A)	1	10	For 230/240V	56307301
9	4YB4049-7103P1	Transformer assy (ML320 Turbo 120V)	1	2		56415301
	4YB4049-7104P1	Transformer assy (ML320 Turbo 230/240V)	1	2		
	4YB4049-7104P2	Transformer assy (ML321 Turbo 230/240V)	1	2		
10	3PB4050-3429P2	PCB plate	1	2	For 230V	ODA, OEL

Figure 11-3 Printer Unit



No.	Part No.	Description	Q'ty	Q'ty Required	Remarks	ODA P/N
1	3PA4044-5002G2	Main chassis assy (N)	1	2	For ML320 Turbo	53348801
	53348801	Main chassis assy (W)	1	2	For ML321 Turbo	53348901
2	3PP4044-5012P1	Bottom paper end lever	1	1		50809201
3	4PP4044-5019P1	Pressure spring (F)	3	2	For ML320 Turbo	50931301
	4PP4044-5019P2	Pressure spring (F)	5	4	For ML321 Turbo	50931302
4	4PP4044-5031P1	Roller holder (F)	3	6	For ML320 Turbo	53349001
			5	8	For ML321 Turbo	53349001
5	4PA4025-3327G2	Front pressure roller assy	3	6	For ML320 Turbo	50410901
			5	8	For ML321 Turbo	50410901
6	3PP4044-5015P1	Front release gear shaft (N)	1	2	For ML320 Turbo	51114001
	3PP4044-5157P1	Front release gear shaft (W)	1	2	For ML321 Turbo	51114101
7	1PP4044-5021P1	Paper pan plate (N)	1	2	For ML320 Turbo	53399201
	1PP4044-5158P1	Paper pan plate (W)	1	2	For ML321 Turbo	53349301
8	3PP4025-3320P2	Leaf spring (N)	1	2	For ML320 Turbo	50923001
	3PP4025-3507P2	Leaf spring (W)	1	2	For ML321 Turbo	50923001
9	3PP4044-5011P1	Paper end lever	1	1		50809301
10	3PP4044-5013P1	Sensor lever	1	1		50809401
11	4PP4025-3340P1	Change gear	1	2		51228001
12	3PP4025-3341P1	Tractor gear	1	2		51228101
13	4PP4044-5020P1	Pressure spring (R)	3	2	For ML320 Turbo	50931401
			3	2	For ML321 Turbo	50931401
14	4PP4044-5163P1	Pressure spring (W)	2	1	For ML321 Turbo	50931501
15	3PP4044-5033P1	Roller holder (R)	3	6	For ML320 Turbo	53349101
			5	10	For ML321 Turbo	53349101
16	4PP4044-5017P1	Change arm lever	1	2		50809501
17	3PP4044-5014P1	Switch lever	1	1		50809601
18	4PP4044-5024P1	Idle gear (PLT)	1	2		
19	2PP4044-5016P1	Change lever	1	2		51238501
20	3PP4044-5023P1	Reset spring D	1	2		50931601
21	3PA4044-5110G1	LF motor assy	1	4		56513601

22	3PP4044-5034P1	Rear pressure roller (N)	1	2	For ML320 Turbo	53349401
	3PP4044-5162P1	Rear pressure roller (W)	1	2	For ML321 Turbo	53349501
23	3PA4044-5025G2	Platen assy (N)	1	3	For ML320 Turbo	50114801
	3PA4044-5159G2	Platen assy (W)	1	3	For ML321 Turbo	50114901
24	3PP4044-5010P1	Space rack gear (N)	1	3	For ML320 Turbo	53349601
	3PP4044-5156P1	Space rack gear (W)	1	3	For ML321 Turbo	53349701
25	4PB4025-3377P2	Tension spring for space rack	1	1		50923502
26	3PP4044-5008P1	Guide rail plate (N)	1	1	For ML320 Turbo	51022201
	3PP4044-5155P1	Guide rail plate (W)	1	1	For ML321 Turbo	51022301
27	3PP4025-2810P2	Adjust cam	1	1		51238601
28	4PP4044-5009P1	Carriage shaft	1	1	For ML320 Turbo	51114201
	4PP4044-5009P2	Carriage shaft	1	1	For ML321 Turbo	51114202
29	3PP4044-5005P1	FG plate (L)	1	1		
30	3PA4044-5050G1	Pull-up roller assy (N)	1	2	For ML320 Turbo	50411001
	3PA4044-5165G1	Pull-up roller assy (W)		2	For ML321 Turbo	50411101
31	4PP4044-5115P1	Idle gear, LF (9)	1	4		51238701
32	4PA4044-5041G2	Tractor frame assy (R)	1	2		53350302
33	4PA4044-5043G2	Tractor frame assy (L)	1	2		53350202
34	4PP4025-3335P3	Drive shaft, tractor (N)	1	2	For ML320 Turbo	
	4PP4025-3335P4	Drive shaft, tractor (W)	1	2	For ML321 Turbo	
35	3PP4044-5046P1	Tractor sheet guide	1	2	For ML321 Turbo	51022901
36	4PB4044-5095P1	FG plate (A)				51022401

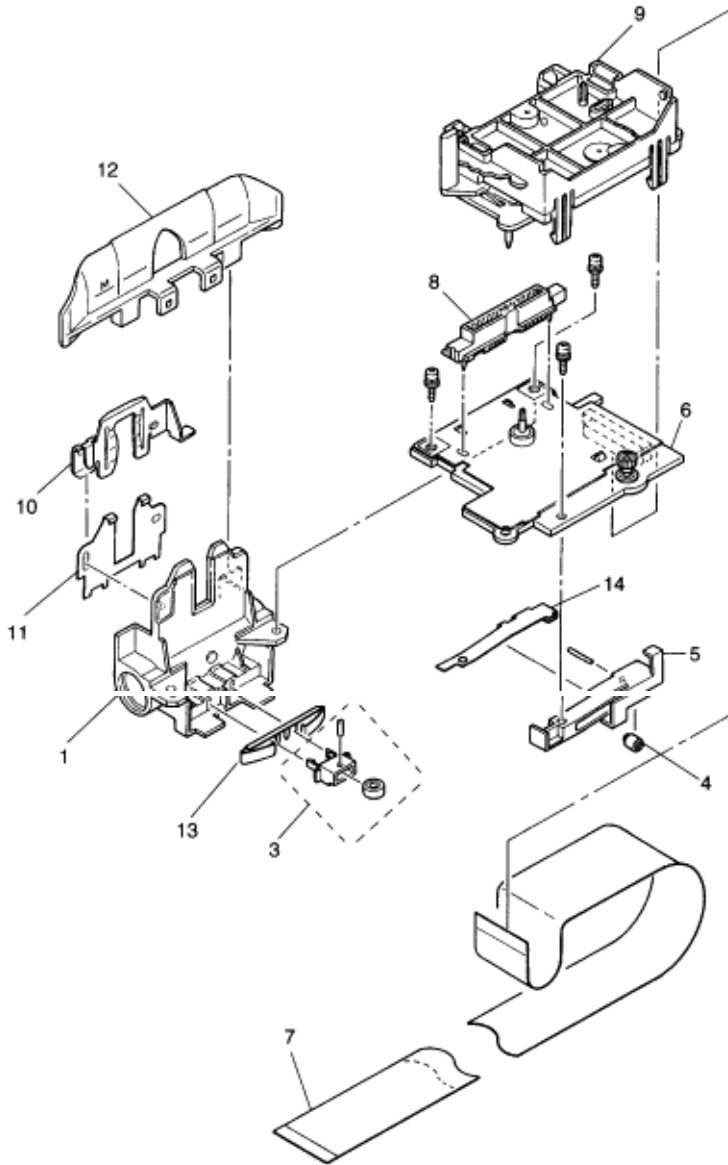
---

Copyright 1997, Okidata, Division of OKI America, Inc. All rights reserved. See the OKIDATA Business Partner Exchange (BPX) for any updates to this material. (<http://bpx.okidata.com>)



**Service Guide ML320/321Turbo**  
Chapter B Parts Listing

Figure 11-4 Carriage Assy



No.	Part No.	Description	Q'ty	Q'ty Req'd	Remarks	ODA#
1	4PP4044-5061G1	Carriage frame set	1	2		53349801

2	-----	-----	-	-	-----	
3	4PA4025-3718G1	Back up roller holder assy	1	2		53343201
4	4PP4025-3398P1	Guide roller	1	2		53341901
4	4PP4025-3398P1	Guide roller	1	2		53341901
5	3PP4044-5065P1	Guide roller holder	1	2		53350101
6	4YA4044-5100G1	Space motor assy	1	4		56513701
7	3PB4044-5506P1	Head cable (9N)	1	5	For ML320 Turbo	56633801
	3PB4044-5507P1	Head cable (9W)	1	5	For ML321 Turbo	56633802
8	3PB4044-5125P1	15-pin connector	1	2		56731301
9	3PA4044-5070G1	Gear cace assy	1	3		51238801
10	3PP4044-5068P1	Head clamp	1	1		50709001
11	4PP4044-5067P1	Head plate	1	1		51022501
12	3PP4044-5064P1	Ribbon protector	1	2		53077101
13	4PP4025-3397P1	Back up roller holder spring	1	1		50925001
14	4PP4044-5066P1	Guide roller spring	1	1		50931801

---

Copyright 1997, Okidata, Division of OKI America, Inc. All rights reserved. See the OKIDATA Business Partner Exchange (BPX) for any updates to this material. (<http://bpx.okidata.com>)

**Figure 11-5 Option Spare Parts**