

This document was provided by

Compu*Direct*, Inc.

As a service to our customers.

If you received this file from anywhere other than

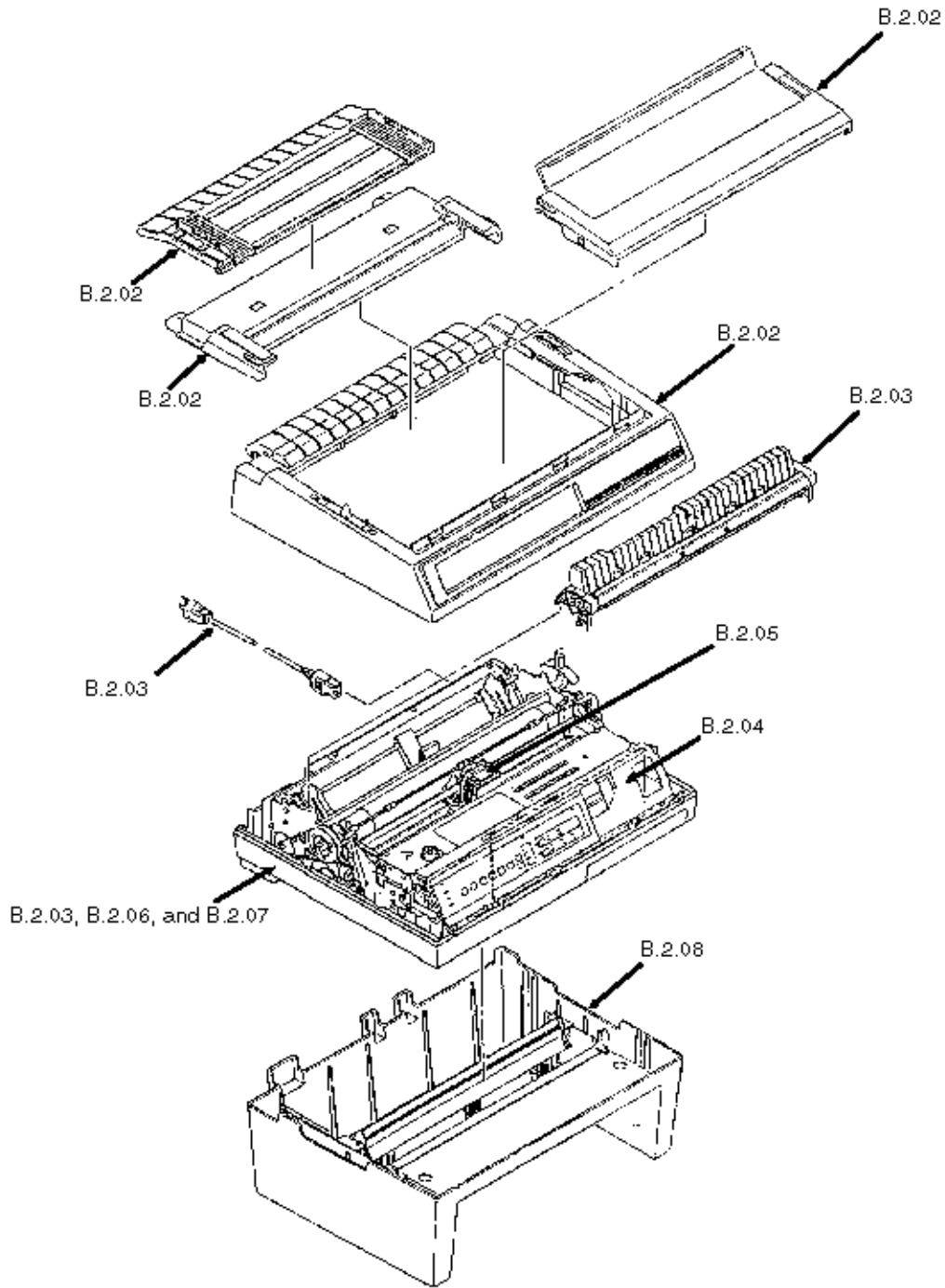
<http://www.printermalls.com>




please let us know at











info@printermalls.com

B.2 CHARTS

Below is an index to the illustrated parts breakdown charts.



Description	Section
Printer	B.2.01 
Upper Cover Assembly	B.2.02 
Printer Unit	B.2.03 

Operator Panel Assembly	B.2.04 
Carriage Assembly	B.2.05 
Printer Mechanism (1 of 2)	B.2.06 
Printer Mechanism (2 of 2)	B.2.07 
Bottom Tractor Feed Unit	B.2.08 
Options	B.2.09 
Pull Tractor Unit	B.2.10 
Packing Materials	B.2.11 
Consumables	B.2.12 
Documentation	B.2.13 

Copyright 1997, Okidata, Division of OKI America, Inc. All rights reserved. See the OKIDATA Business Partner Exchange (BPX) for any updates to this material. (<http://bpx.okidata.com>)

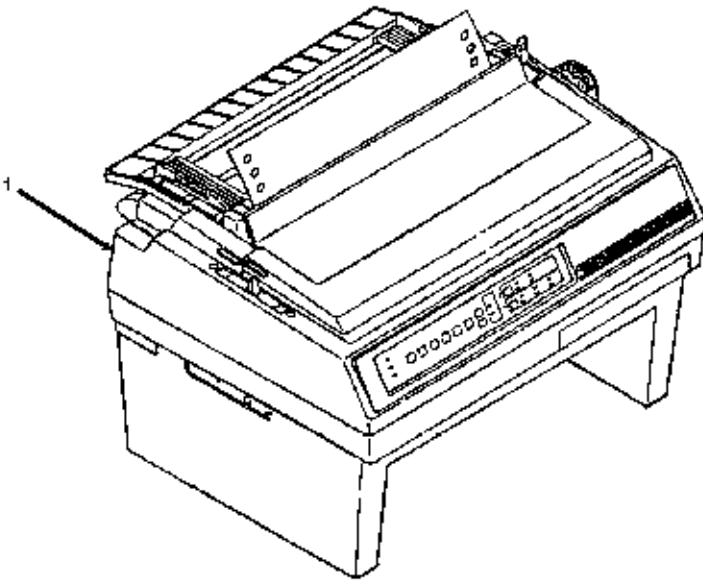


Service Guide PM3410

Chapter B Illustrated Parts Listing

B.2.01 Printer

Part numbers are subject to change. Refer to Okilink II for current part numbers and pricing information.

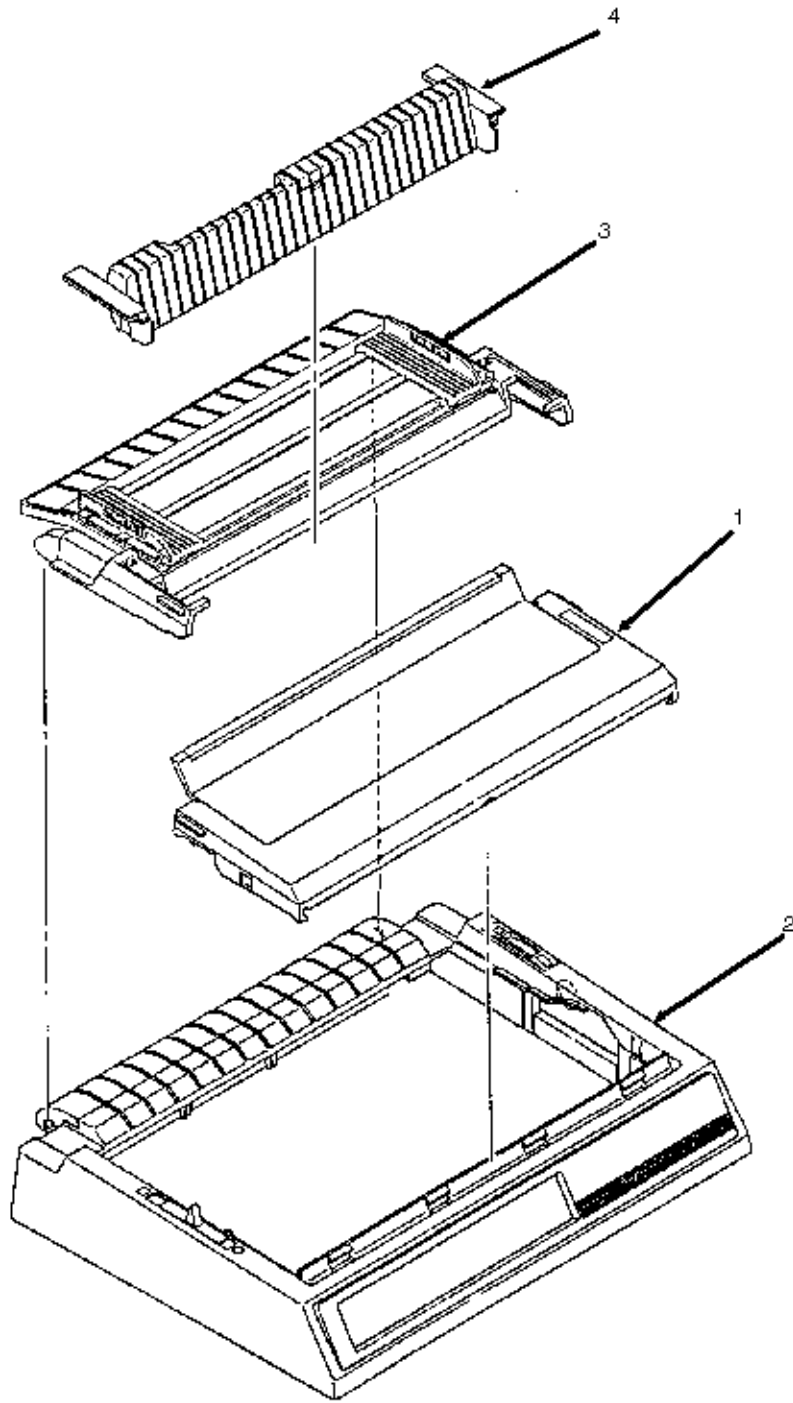



Item	Okidata P/N Oki-J P/N	Description	Comments	Disassembly Procedure
1	61800801 N/A	Printer: Parallel / Serial 120 V Epson / IBM Compatible		N/A
1	61800802 N/A	Printer: Parallel / Serial 220/240 V Epson / IBM Compatible		N/A






B.2.02 Upper Cover Assembly

Part numbers are subject to change. Refer to Okilink II for current part numbers and pricing information.



Item	Okidata P/N Oki-J P/N	Description	Comments	Disassembly Procedure
1	50215701 1PA4049-5837G1	Cover: Access	RSPL	3.2.01 

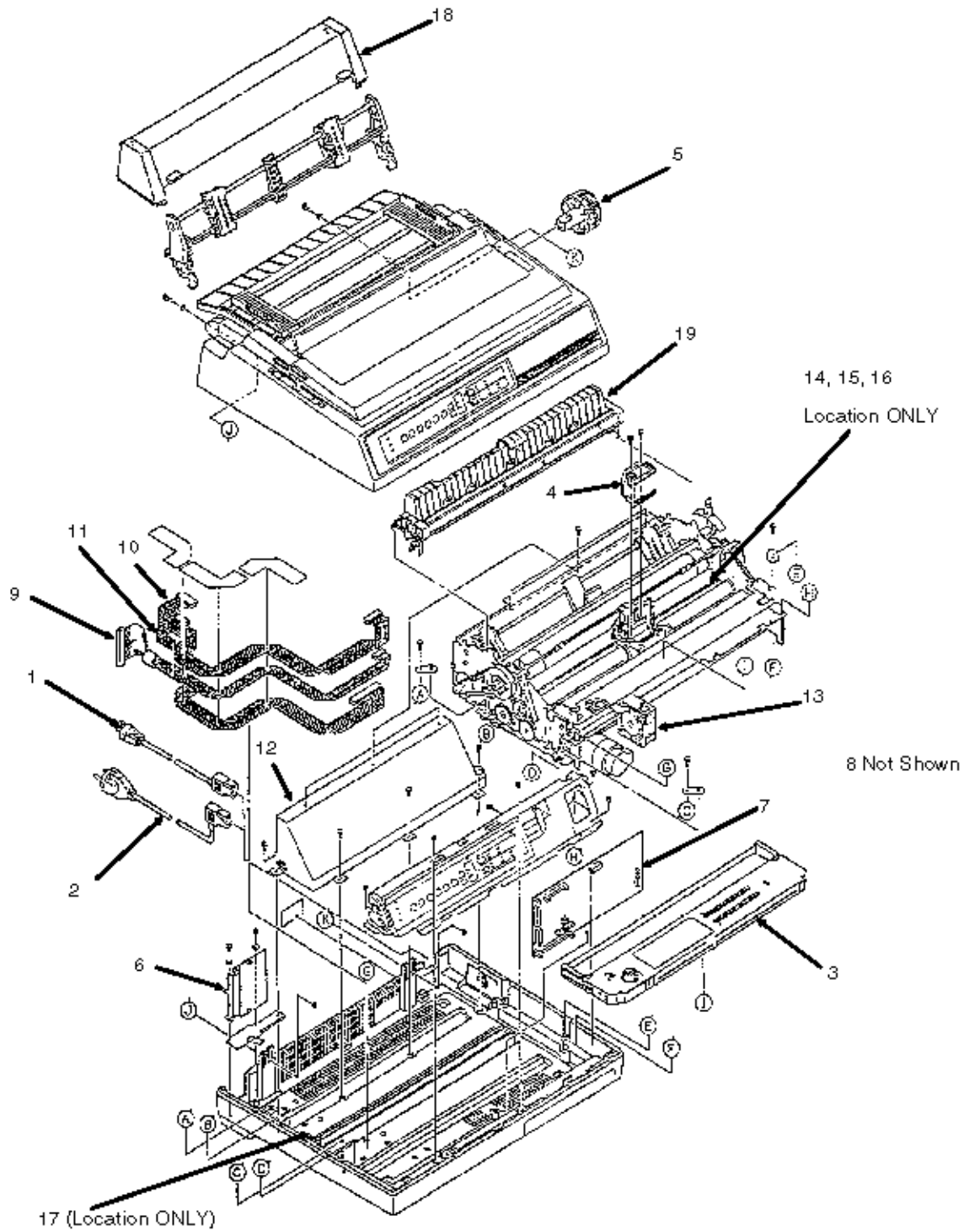
2	50212431 2PA4016-4723G31	Cover: Middle (PM3410)	RSPL	3.2.03 
3	50215801 1PA4094-5841G1	Cover: Rear (Assembly)	RSPL	3.2.03 
4	50215901 4YA4043-4280G1	Pull-Up Roller Assembly	RSPL	3.2.03 


Copyright 1997, Okidata, Division of OKI America, Inc. All rights reserved. See the OKIDATA Business Partner Exchange (BPX) for any updates to this material. (<http://bpx.okidata.com>)

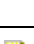
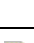
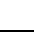


B.2.03 Printer Unit

Part numbers are subject to change. Refer to Okilink II for current part numbers and pricing information.



Item	Okidata P/N Oki-J P/N	Description	Comments	Disassembly Procedure
1	56609701 3YS4011-1315P1	Cord: AC (120V)	RSPL	3.2.01 

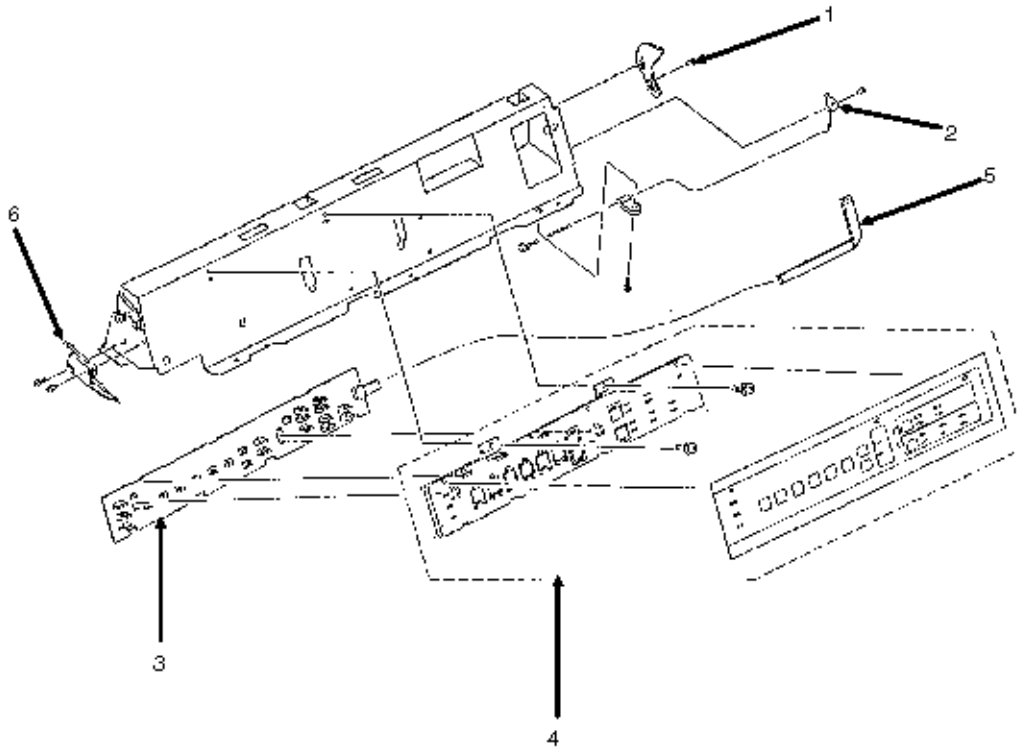
2	56624101 3YS4011-1265P1	Cord: AC (220V) (ML) Right Angle	Option	3.2.01 
3	52105801 N/A	Ribbon Cartridge	Consumable	3.2.01 
4	50090301 4YA4023-1501G1	Printhead: Assembly	RSPL	3.2.01 
5	53478601 3PP4043-2501P1	Knob: Platen	RSPL	3.2.03 
6	55061711 4YA4042-1510G11	PCB: HKTY Interface Connector Assembly	RSPL	3.2.05 
7	55061611 4YA4042-1509G11	PCB: CPNB Main Logic (w/o ROM)	RSPL	3.2.06 
8	55934601 816A8022M0000	IC: EEPROM NM93C06N-NW	RSPL	3.2.06 
9	56614901 3YS4011-2710G1	Cable: I/F (Internal) [I/F-Main Brd 50 Pin]	RSPL	3.2.07 
10	56614101 4YS4011-6295G1	Cord: Power Connection (9 Pin)	RSPL	3.2.07 
11	56614801 4YS4011-6253G3	Cord: Power Connection (13 Pin)	RSPL	3.2.07 
12	56411201 4YB4049-1709P1	Power Supply Assembly (120 V)	RSPL	3.2.08 
12	56406302 4YB4049-1278P2	Power Supply Assembly (220/240 V)	Option	3.2.08 
13	56509501 4YX4043-4219G1	Fan: Cooling	RSPL	3.2.20 
14*	51007701 3PB4043-4357P1	Guide: Bottom (Mylar)	RSPL	N/A
15*	51007601 4PB4043-2579P1	Guide: Cut Sheet (Mylar)	RSPL	N/A
16*	51007801 4PB4043-4331P1	Guide: Bottom Plate (Mylar)	RSPL	N/A
17	51007901 3PB4043-4227P1	Guide: Bottom Rear Guide (Mylar) Base	RSPL	N/A
18	50212604 2PA4016-4722G4	Cover: Acoustic (Pull Tractor)	Option RSPL	N/A
19	50215901 4YA4043-4280G1	Pull-Up Roller Assembly	RSPL	3.2.03 

* Items 14, 15, and 16 are in the same location. Item 14, Bottom Guide (Mylar) is the largest mylar sheet. Item 15, Cut Sheet Guide (Mylar) is the smallest mylar sheet. Item 16, Bottom Guide Plate (Mylar) is the mylar sheet which extends from the bottom of the printer mechanism.

Copyright 1997, Okidata, Division of OKI America, Inc. All rights reserved. See the OKIDATA Business Partner Exchange (BPX) for any updates to this material. (<http://bpx.okidata.com>)

B.2.04 Operator Panel Assembly

Part numbers are subject to change. Refer to Okilink II for current part numbers and pricing information.



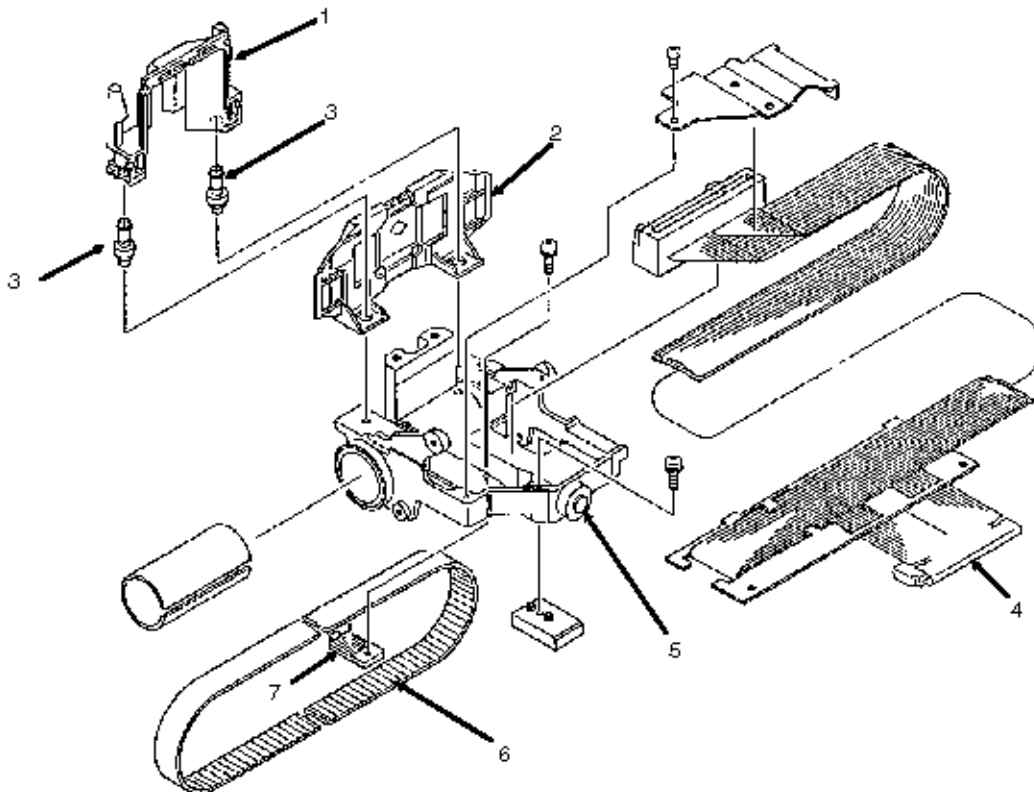
Item	Okidata P/N Oki-J P/N	Description	Comments	Disassembly Procedure
1	50910505 4LB-192200-5	Spring: Cover Open	RSPL	3.2.03
2	56614301 4YX4043-2759G1	Cable:<_>Micro Switch (Cover Open)	RSPL	3.2.30
3	55061401 4YA4042-1511G1	PCB: OPML Operation Panel	RSPL	3.2.04
4	53553401 3PP4043-4339G1	Panel: Operator (PM3410)	RSPL	3.2.04
5	56628402 4LP-5466-36	Cable: Op Panel (PM3410)	RSPL	3.2.04

6	56212601 3YX4043-4228G1	Switch: Interlock (Assy)	RSPL	3.2.06
---	----------------------------	-----------------------------	------	--------




Copyright 1997, Okidata, Division of OKI America, Inc. All rights reserved. See the OKIDATA Business Partner Exchange (BPX) for any updates to this material. (<http://bpx.okidata.com>)

B.2.05 Carriage Assembly

Part numbers are subject to change. Refer to Okilink II for current part numbers and pricing information.



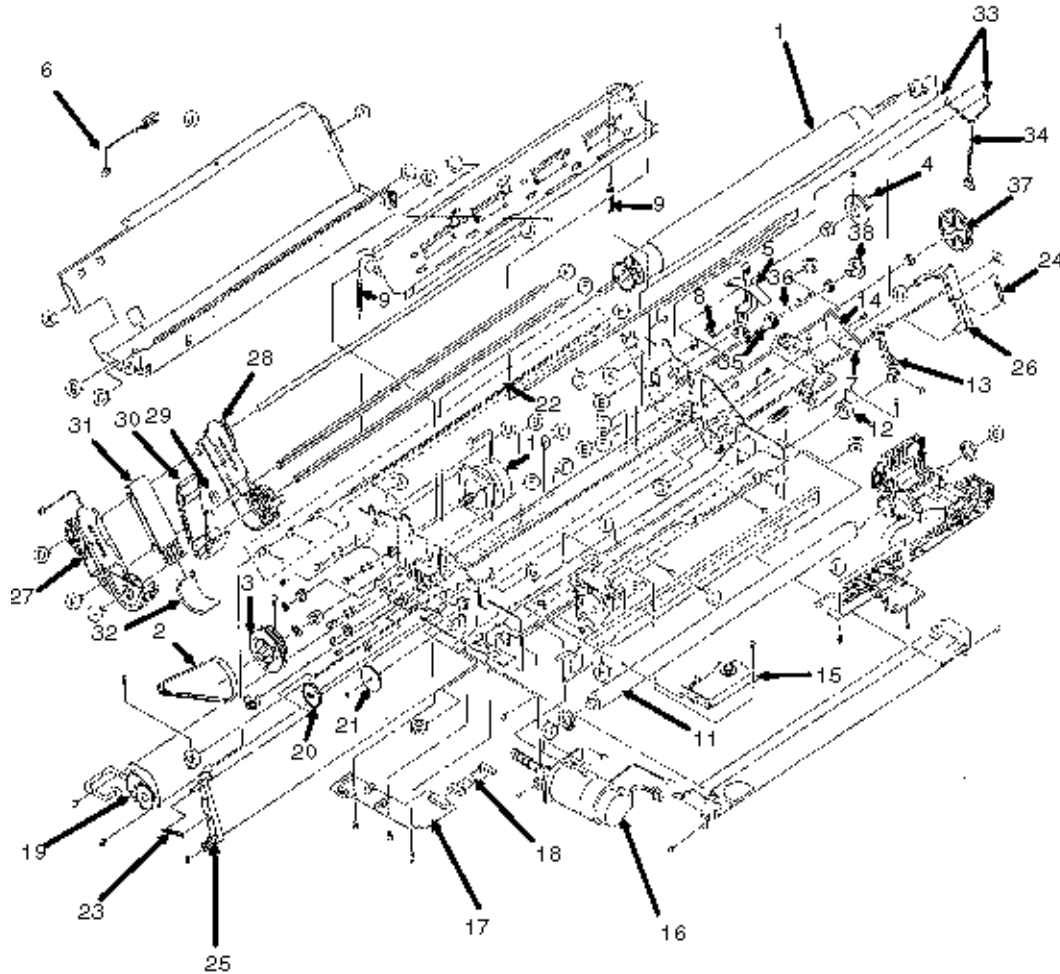
Item	Okidata P/N Oki-J P/N	Description	Comments	Disassembly Procedure
1	53062601 4PP4043-4241G1	Guide: Ribbon Assembly	RSPL	3.2.01
2	53062701 4PA4043-4235G1	Protector: Ribbon Assembly	RSPL	3.2.02
3	50316701 4PP4043-4243P1	Screw: Ribbon Protector (Post)	RSPL	3.2.02
4	56624901 3YX4043-4232G1	Cable: Head Assembly	RSPL	3.2.21

5	53340501 2YX4043-4230G1	Carriage: (Assembly)	RSPL	3.2.22 
6	51303101 4PB4044-1492P3	Belt: Mini Pitch (Spacing)	RSPL	3.2.25 
7	50702301 N/A	Belt Clamp		3.2.25 

Copyright 1997, Okidata, Division of OKI America, Inc. All rights reserved. See the OKIDATA Business Partner Exchange (BPX) for any updates to this material. (<http://bpx.okidata.com>)


B.2.06 Printer Mechanism (1 of 2)

Part numbers are subject to change. Refer to Okilink II for current part numbers and pricing information.



Item	Okidata P/N Oki-J P/N	Description	Comments	Disassembly Procedure
1	50054101 4PA4043-2556G1	Platen:(Assembly)	RSPL	3.2.16

2	51304401 4LP1313-313	Belt:Mini Pitch (Line Feed)	RSPL	3.2.16 
3	51226801 3PP4043-4246P1	Pulley:Platen	RSPL	3.2.16 
4	51214501 3PP4043-2466P1	Gear: Platen "A"	RSPL	3.2.16 
5	53478706 3PP4043-2459P6	Lever: Release	RSPL	3.2.17  , 31 
6	56625001 4YX4043-2571G1	Cable: Cut Sheet Sensor Assembly	RSPL	3.2.17 
7	53478801 4PP4043-2460P1	Block: Release Lever Guide	RSPL	3.2.17 
8	50910201 4PB4043-2754P1	Spring: Detent (Release Lever)	RSPL	3.2.17  , 31 
9	50907502 4LB-193400-1	Spring: (Paper Chute)	RSPL	3.2.17 
10 *	56509401 3PB4043-4249P1	Motor:Line Feed (BTF)	RSPL	3.2.18 
11	51112101 4PB4043-4348P1	Shaft: Carriage	RSPL	3.2.22 
12	50706701 4PP4043-4226P1	Collar: Eccentric (with Screw)	RSPL	3.2.22 
13	53478401 3PP4043-2504P1	Lever: Adjust	RSPL	3.2.22 
14	53063801 3PP4043-4224P1	Bracket: Printhead Gap Indicator	RSPL	3.2.22 
15	50054301 4PA4043-2584G1	Assembly: Ribbon Feed	RSPL	3.2.23 
16	56506204 3YX4043-2550G4	Motor:Space	RSPL	3.2.24 
17	55061501 4YA4042-1512G1	PCB: LPRW Sensor	RSPL	3.2.26 
18	56616804 4YS4011-4311P4	Cable: Sensor Board Connection	RSPL	3.2.26 

19	56506301 3PB4043-2601P1	Motor: Step (Bail Arm) Assembly	RSPL	3.2.27 
----	----------------------------	------------------------------------	------	--

* This line feed motor is used in two different places: the bottom push unit and the printer unit.

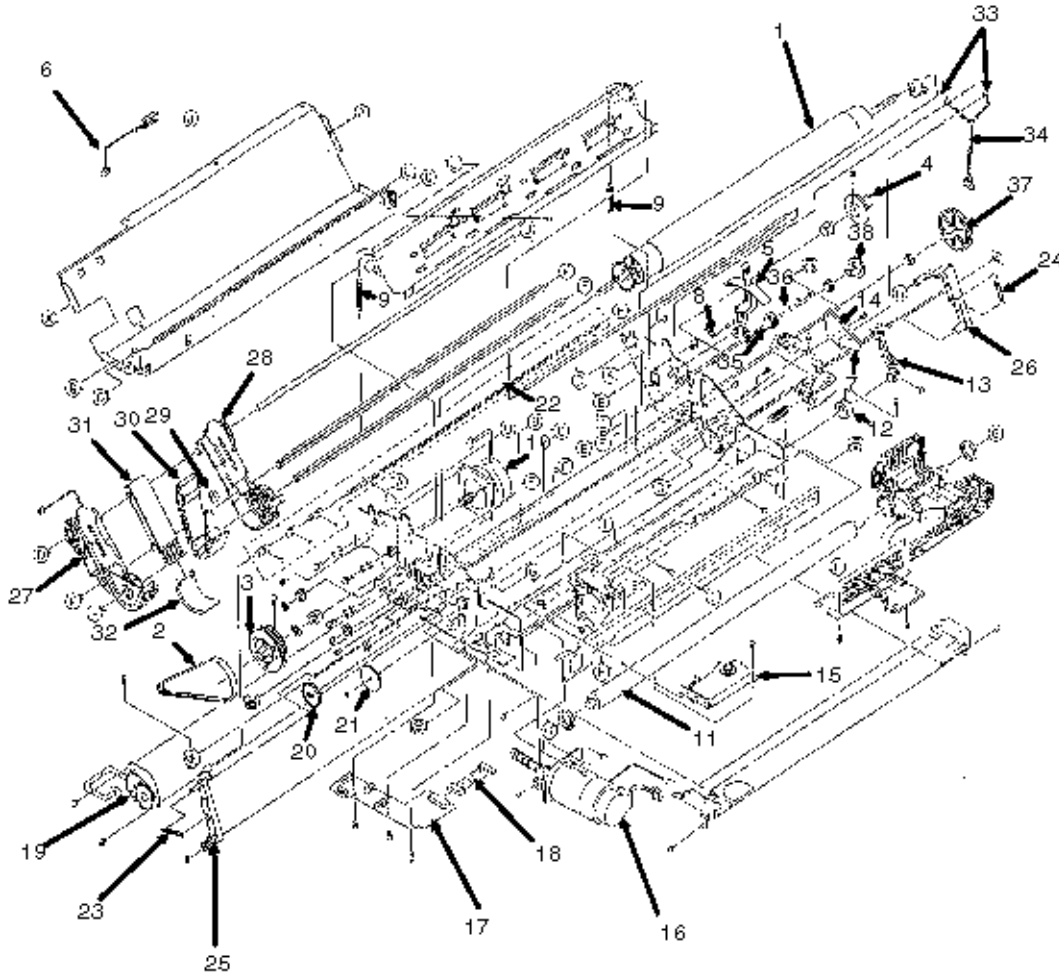
Copyright 1997, Okidata, Division of OKI America, Inc. All rights reserved. See the OKIDATA Business Partner Exchange (BPX) for any updates to this material. (<http://bpx.okidata.com>)



















Service Guide PM3410
Chapter B Illustrated Parts Listing



B.2.07 Printer Mechanism (2 of 2)

Part numbers are subject to change. Refer to Okilink II for current part numbers and pricing information.



Item	Okidata P/N Oki-J P/N	Description	Comments	Disassembly Procedure
20	51210201 5LR-193134-1	Gear: Idle (Bail Arm)	RSPL	3.2.28

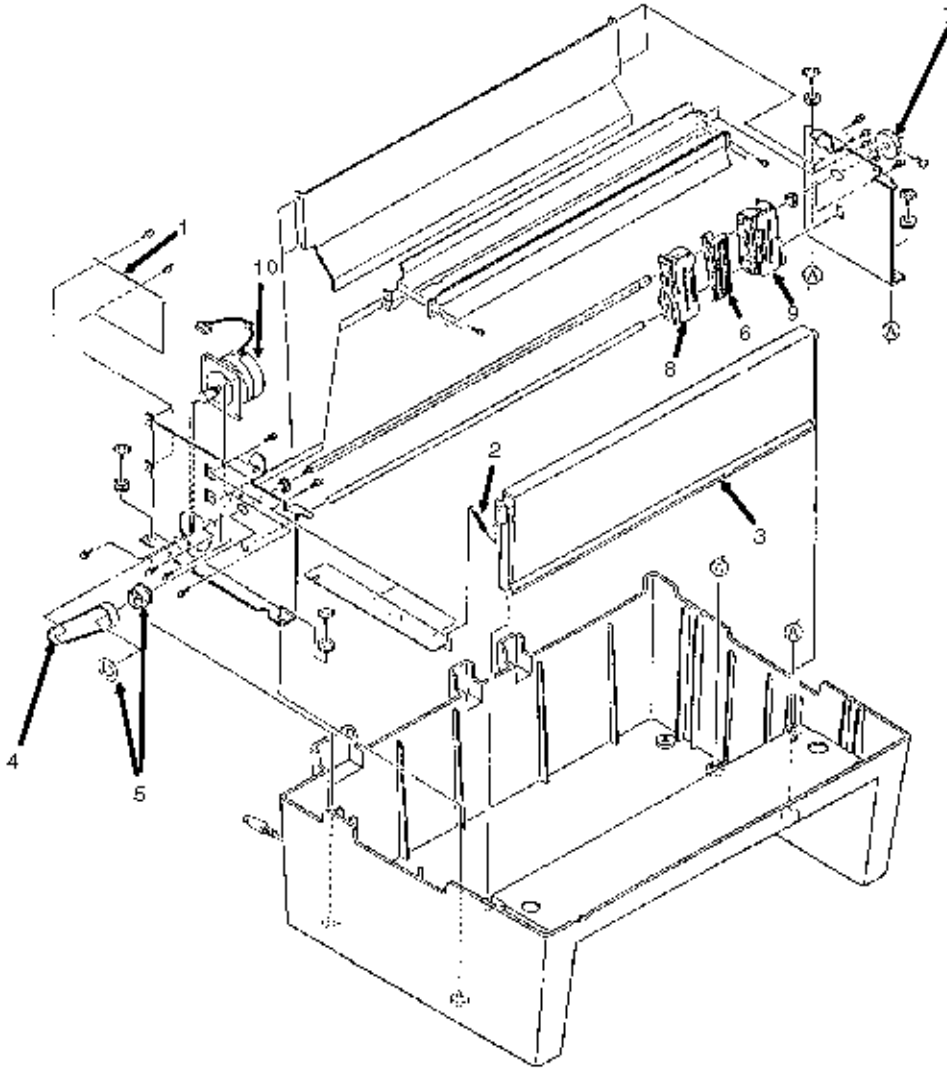
21	51214701 3PP4043-2764P1	Cam: Bail Open	RSPL	3.2.28 
22	50054401 4PA4043-2711G1	Assembly: Indicator Shaft	RSPL	3.2.28 
23	50910701 4PP4043-2628P1	Spring: Bail Arm (Left)	RSPL	3.2.28 
24	50910801 4LB-193100-2	Spring: Bail Arm (Right)	RSPL	3.2.28 
25	53478501 3PP4043-2509P1	Bail Arm (Left)	RSPL	3.2.28 
26	53478502 3PP4043-2510P1	Bail Arm (Right)	RSPL	3.2.28 
27	50054501 3YX4043-2561G1	Tractor:Push (Left) Assembly	RSPL	3.2.29 
28	50054601 3PA4043-2562G1	Tractor:Push (Right) Assembly	RSPL	3.2.29 
29	51002301 4PP4043-2451P1	Friction: Piece	RSPL	3.2.29 
30	51002401 3PP4043-2452P1	Guide: Center - Upper	RSPL	3.2.29 
31	51002501 3PP4043-2453P1	Guide: Center Lower A	RSPL	3.2.29 
32	51002601 3PP4043-2454P1	Guide: Center Lower B	RSPL	3.2.29 
33	56209901 4YX4043-2784G1	Switch: Micro (Adj & Rel Lever)	RSPL	3.2.30 
34	56624801 3PB4043-4204P1	Cable: Micro Switch Assembly (Adj & Rel Lever)	RSPL	3.2.30 
35	51214401 4PP4043-2458P1	Gear: Idle (Release Lever)	RSPL	3.2.31 
36	50910305 4LB-190600-6	Spring: Idle Gear	RSPL	3.2.31 

37	51214201 4PP4043-2456P1	Gear: Drive A	RSPL	3.2.31 
38	51214301 4PP4043-2457P1	Gear: Drive B	RSPL	3.2.31 











Copyright 1997, Okidata, Division of OKI America, Inc. All rights reserved. See the OKIDATA Business Partner Exchange (BPX) for any updates to this material. (<http://bpx.okidata.com>)

B.2.08 Bottom Tractor Feed Unit

Part numbers are subject to change. Refer to Okilink II for current part numbers and pricing information.



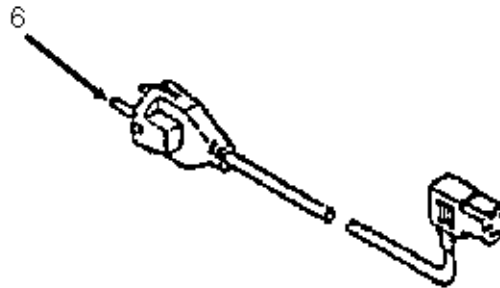
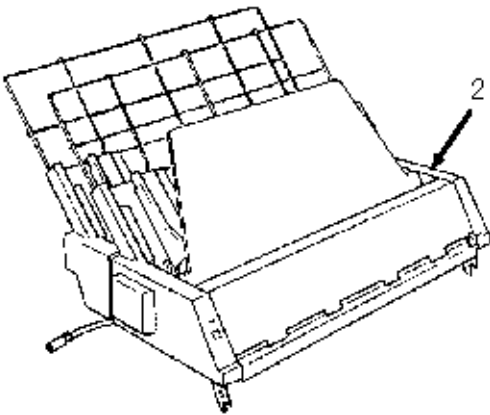
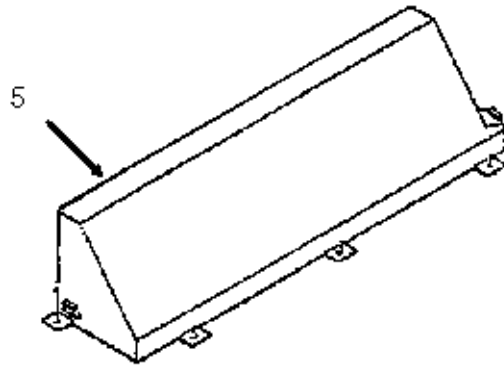
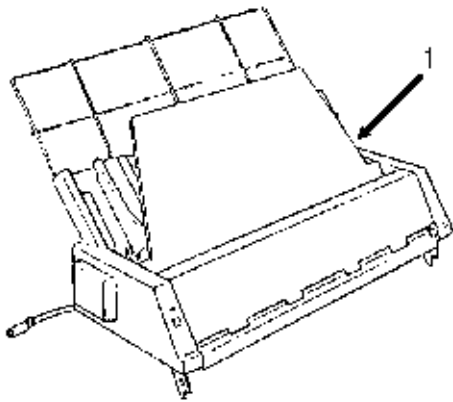
Item	Okidata P/N Oki-J P/N	Description	Comments	Disassembly Procedure
------	-----------------------	-------------	----------	-----------------------

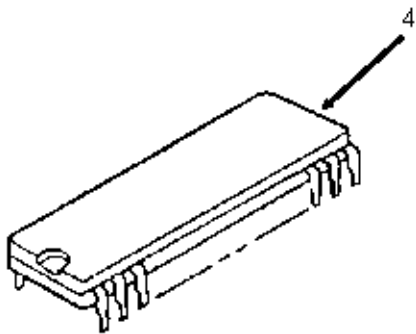
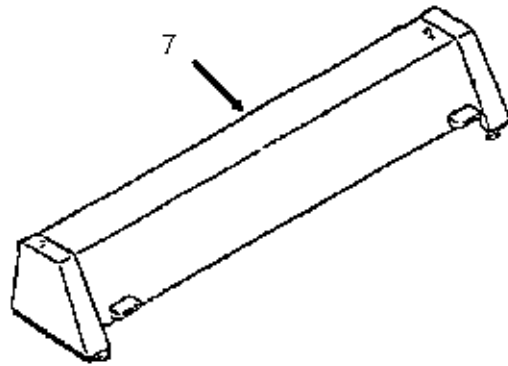
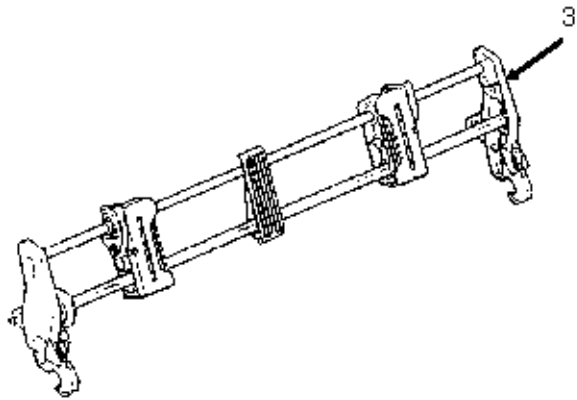
1	55066101 4YA4042-1513G1	PCB: BTFD (BTF)	RSPL	3.2.10 
2	50922001 4PP4043-4300P1	Spring: (BTF)	RSPL	3.2.11 
3	53063701 3PA4094-6159G1	Door: Front (Assembly) (BTF)	RSPL	3.2.12 
4	51304501 4LP-1313-59	Belt: Line Feed (BTF) Mini-Pitch [120 teeth]	RSPL	3.2.13 
5	51226901 4PP4043-4283P1	Pulley: Drive (BTF)	RSPL	3.2.13 
6	51002201 4PP4025-2653P1	Guide: Sheet (BTF)	RSPL	3.2.14 
7	53340401 3PB4043-4272P1	Roller: Drive (BTF)	RSPL	3.2.14 
8	50057401 4PA4043-2684G2	Left Tractor Assembly	RSPL	3.2.14 
9	50057501 4PA4043-2685G2	Right Tractor Assembly	RSPL	3.2.14 
10 *	56509401 3PB4043-4249P1	Motor: Line Feed (BTF)	RSPL	3.2.15 

* This line feed motor is used in two different places: the bottom push unit and the printer unit.

B.2.09 Options

Part numbers are subject to change. Refer to Okilink II for current part numbers and pricing information.





8 Not shown

9 Not shown

Item	Okidata P/N Oki-J P/N	Description	Comments	Disassembly Procedure
1	70010601 N/A	Cut Sheet Feeder 3001 Single Bin	Option	N/A
2	70010701 N/A	Cut Sheet Feeder 3002 Dual Bin	Option	N/A
3	70011701 N/A	Pull Tractor Kit	Option	N/A
4	70022001 N/A	Microline / Pacemark Emulation Chip Set	Option	N/A
5	56406302 4YB4049-1278P2	Power Supply Assembly (220/240 V)	Option	N/A
6	56624101 3YS4011-1265P1	Cord: AC (220 V) (ML) Right Angle	Option	N/A

7	50212604 2PA4016-4722G4	Cover: Acoustic (Pull Tractor)	Option RSPL	N/A
8 *	N/A N/A	Printer Stand	Option Third Party	N/A
9 **	N/A N/A	Twin-ax / Co-ax	Option Third Party	N/A

*Call

1-800-749-2258 (Third Party Vendor - Pacemark 3410 stands ONLY)

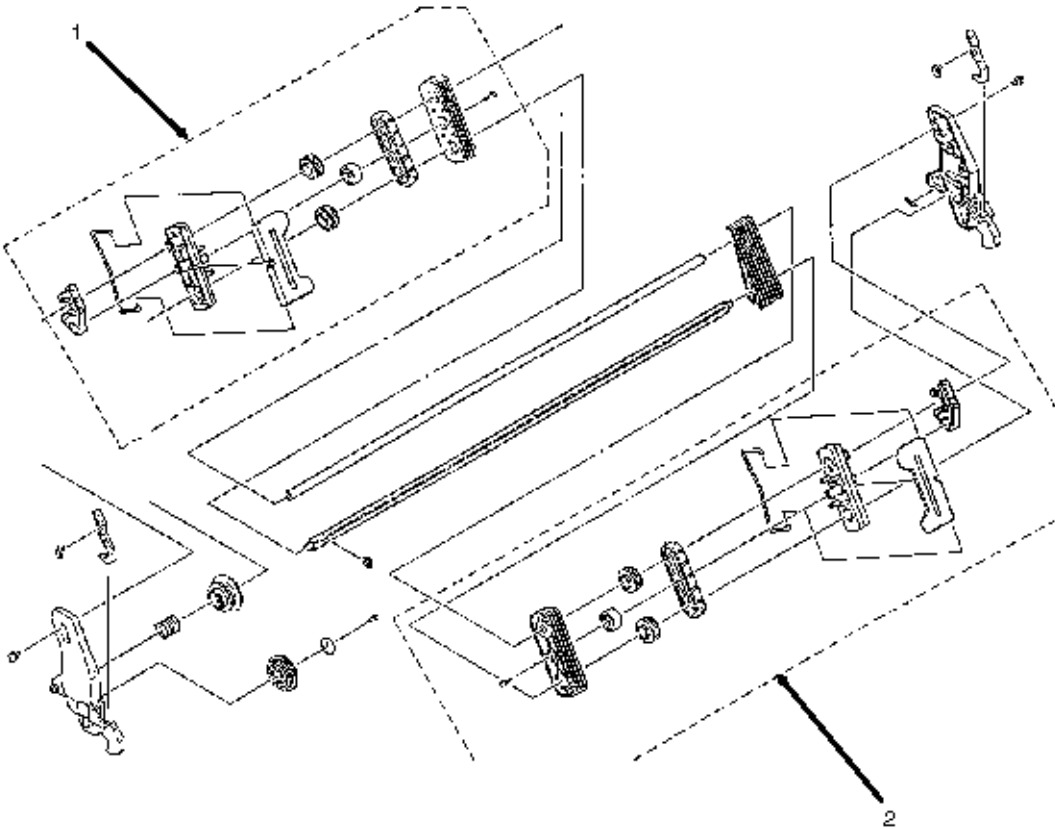
1-800-827-2672 (Third Party Vendor - all printer stands)

** Call 1-508-777-7957 (Third Party Vendor) for more information.

Copyright 1997, Okidata, Division of OKI America, Inc. All rights reserved. See the OKIDATA Business Partner Exchange (BPX) for any updates to this material. (<http://bpx.okidata.com>)

B.2.10 Pull Tractor Unit (Option)

Part numbers are subject to change. Refer to Okilink II for current part numbers and pricing information.



Item	Okidata P/N Oki-J P/N	Description	Comments	Disassembly Procedure
1	50057401 4PA4043-2684G1	Tractor:Pin (Left)	Option RSPL	N/A
2	50057501 4PA4043-2685G1	Tractor:Pin (Right)	Option RSPL	N/A

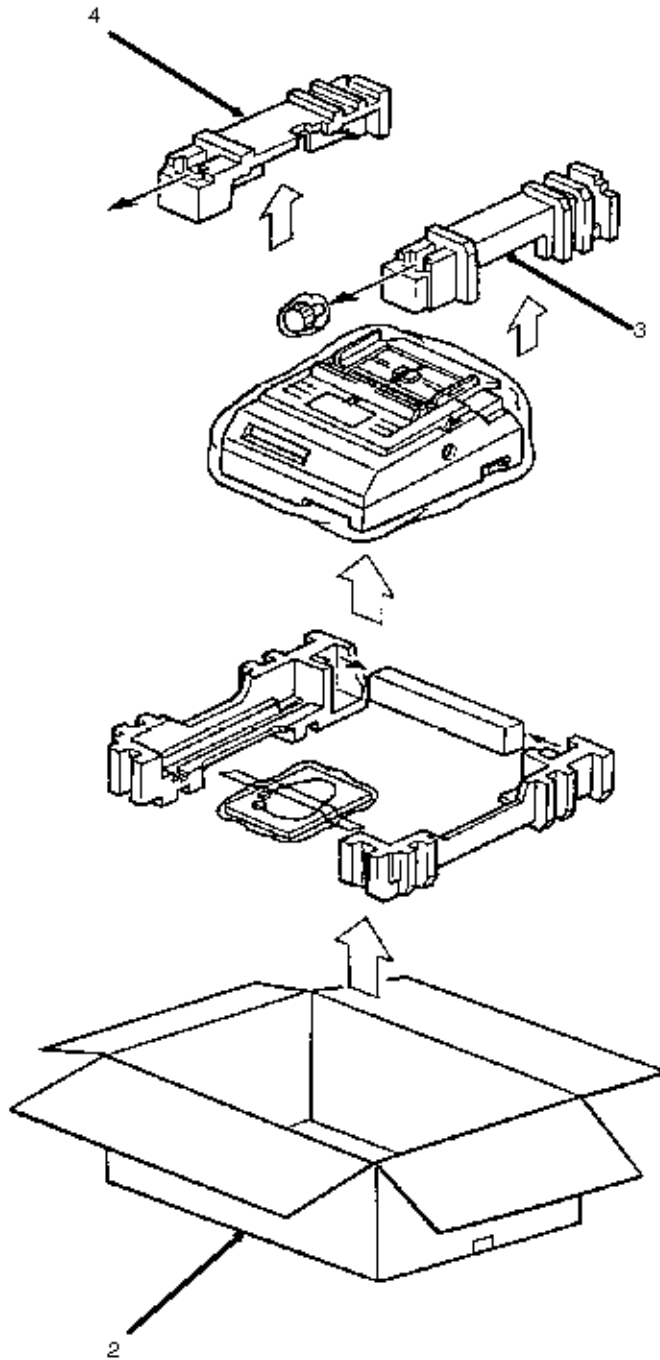
Copyright 1997, Okidata, Division of OKI America, Inc. All rights reserved. See the OKIDATA Business Partner Exchange (BPX) for any updates to this material. (<http://bpx.okidata.com>)



B.2.11 Packing Materials

Part numbers are subject to change. Refer to Okilink II for current part numbers and pricing information.

1, 5, 6, and 7
Not shown



Item	Okidata P/N Oki-J P/N	Description	Comments	Disassembly Procedure
1	53532501 N/A	Foam: Spacer		N/A

2	53532002 N/A	Box: Spare (PM3410 / 393 / 395)	RSPL	N/A
2	53556401 N/A	Box: PM3410 Printer (Production)	RSPL	N/A
3	53528901 N/A	End Cap - Right	RSPL	
4	53528902 N/A	End Cap - Left	RSPL	N/A
5	53460215 N/A	Overpack Assembly		N/A
6	53556801 4PP4083-2820P14	Box: Bottom Tractor (PM3410)	RSPL	N/A
7	53556901 3PP4043-4332P1	Cap: End 1 Set (BTF) (PM3410)	RSPL	N/A

Copyright 1997, Okidata, Division of OKI America, Inc. All rights reserved. See the OKIDATA Business Partner Exchange (BPX) for any updates to this material. (<http://bpx.okidata.com>)

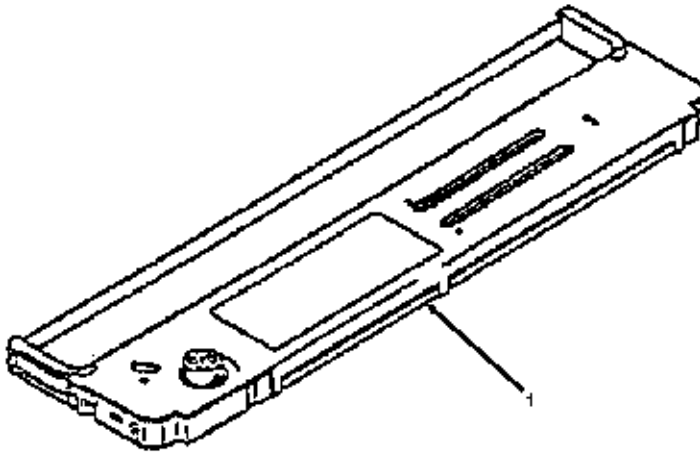


Service Guide PM3410

Chapter B Illustrated Parts Listing

B.2.12 Consumables

Part numbers are subject to change. Refer to Okilink II for current part numbers and pricing information.



Item	Okidata P/N Oki-J P/N	Description	Comments	Disassembly Procedure
1	52105801 N/A	Ribbon Cartridge	Consumable	3.2.01



Service Guide PM3410

Chapter B Illustrated Parts Listing

B.2.13 Documentation

Part numbers are subject to change. Refer to Okilink II for current part numbers and pricing information.

Item	Okidata P/N Oki-J P/N	Description	Comments	Disassembly Procedure
1A #	58224101 N/A	Kit: Pacemark 3410 Serv Train	Document	N/A
1B #	58224102 N/A	Kit: Pacemark 3410 Serv Train	Document	N/A
2	59249701 N/A	Handbook: Pacemark 3410 Service	Document Part of 01 kit	N/A
2	59249702 N/A	Handbook: Pacemark 3410 Service	Document Part of 02 kit	N/A
3	59249101 N/A	Handbook: Pacemark 3410 Printer	Document Part of 01 kit	N/A
3	59249102 N/A	Handbook: Pacemark 3410 Printer	Document	N/A
3	59249103 N/A	Handbook: Pacemark 3410 Printer	Document	N/A
3	59249104 N/A	Handbook: Pacemark 3410 Printer	Document Part of 02 kit	N/A
4	59250001 N/A	Manual: Maintenance	Document	N/A
4	59250002 N/A	Manual: Maintenance	Document	N/A
5	N/A N/A	Okidata Service Center Reference Guide	Document	N/A
6	53547501 N/A	Okidata Support 3-Ring Binder	Document	N/A

7	58067201 N/A	ABCD Warranty Claim Forms (Pkg of 20)	Document	N/A
8	58052401 N/A	Warranty Summary Forms (Pkg of 20)	Document	N/A
9	N/A N/A	Printer Drivers	Refer to Okilink	N/A
10	N/A N/A	Product Updates	Document Refer to Okilink	N/A
11	N/A N/A	Recommended Spare Parts List	Document Refer to Okilink	N/A
12	N/A N/A	Software	Refer to Okilink	N/A
13	N/A N/A	Technical Service Bulletins	Document Refer to Okilink	N/A
14	N/A N/A	Troubleshooting Manual	Document	N/A
15 *	N/A N/A	Marketing Literature	Document	N/A
16 **	N/A N/A	Okidata Marketing Literature Order Form	Document	N/A

Item	Okidata P/N Oki-J P/N	Description	Comments	Disassembly Procedure
1A #	58224101 N/A	Kit: Pacemark 3410 Serv Train	Document	N/A
	52053201 N/A	Label: Pacemark 3410 Kit	Part of 01 kit	N/A
	58075401 N/A	Envelope: Administration	Part of 01 kit	N/A
	58075501 N/A	Letter: Cover	Part of 01 kit	N/A
	59249601 N/A	Guide: Training	Part of 01 kit	N/A
	58076101 N/A	Material: Printhead Gap Adjustment	Part of 01 kit	N/A
	58075601 N/A	Test: Certification	Part of 01 kit	N/A
	58075701 N/A	Sheet: Test Answer	Part of 01 kit	N/A
	58075801 N/A	Critique: Course	Part of 01 kit	N/A
	58075901 N/A	Envelope: Pre-Printed Return	Part of 01 kit	N/A

2	59249701 N/A	Handbook: Pacemark 3410 Service	Part of 01 kit	N/A
	59249801 N/A	Documentation: User's	Part of 01 kit	N/A
	57517901 N/A	Video: Pacemark 3410 Service Training	Part of 01 kit	N/A
	52053202 N/A	Label: Pacemark 3410 Video Case	Part of 01 kit	N/A
	52053203 N/A	Label: Pacemark 3410 Video (Front)	Part of 01 kit	N/A
	52053204 N/A	Label: Pacemark 3410 Video (Spine)	Part of 01 kit	N/A
	57517101 N/A	Case: Red Vinyl Video	Part of 01 kit	N/A
	53533001 N/A	Box: Storage	Part of 01 kit	N/A
1B #	58224102 N/A	Kit: Pacemark 3410 Serv Train	Document	N/A
	52053205 N/A	Label: Pacemark 3410 Kit	Part of 02 kit	N/A
	58075502 N/A	Sheet: Read Me First	Part of 02 kit	N/A
2	59249702 N/A	Handbook: Pacemark 3410 Service	Part of 02 kit	N/A
3	59249104 N/A	Handbook: Pacemark 3410 Printer	Part of 02 kit	N/A
	57517902 N/A	Video: Pacemark 3410 Service Training	Part of 02 kit	N/A
	52053204 N/A	Label: Pacemark 3410 Video (Spine)	Part of 02 kit	N/A

* To order Marketing Literature, complete an Okidata Marketing Literature Order Form. Fax the completed form to Okidata Marketing Communications.

** Obtain this form by faxing a request to Okidata Marketing Communications. Refer to the Service Center Reference Guide for information on contacting Okidata.