

This document was provided by

# Compu*Direct*, Inc.

As a service to our customers.

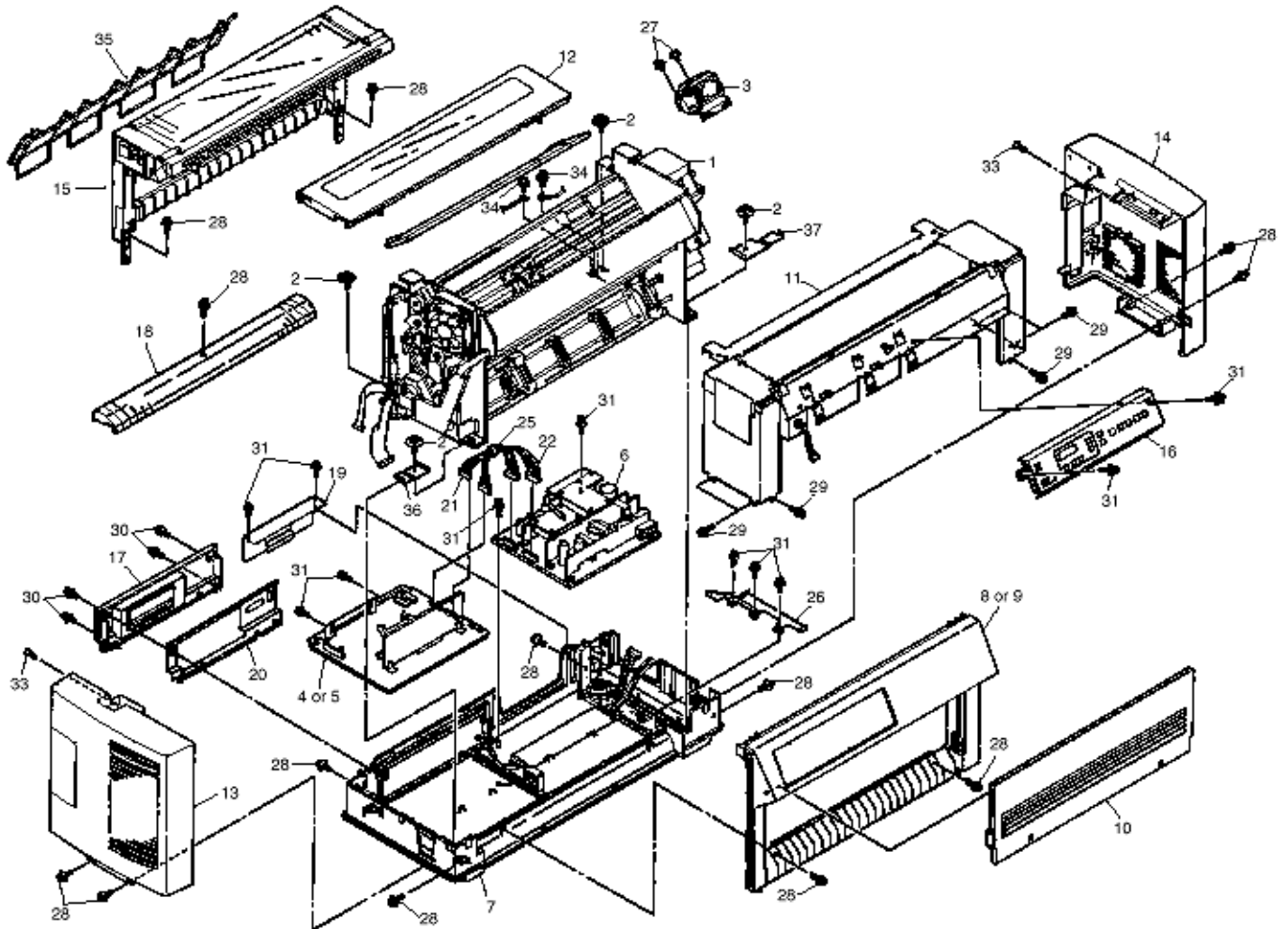
If you received this file from anywhere other than

<http://www.printermalls.com>

please let us know at

[info@printermalls.com](mailto:info@printermalls.com)

Total Assembling Diagram



No.	Parts No.	Name	Qty	Remarks
1	40496601	Printer Unit	1	
2	50319002	Cup Screw with Washer		
3	40538101	Serial Dot Matrix Print Head - PM4410		
4	40750403	PMA/PDA PCB	1	
5				
6	40414001	Power Unit	1	
7	40677101	Cover Assy - Lower	1	
8	40677201	Cover Assy - Front	1	
9	40677202			
10	40677401	Door Assy - Front	1	
12	40520201	Cover Assy - Access	1	
13	40677601	Cover Assy - Side (L)	1	
14	40677901	Cover Assy - Side (R)	1	

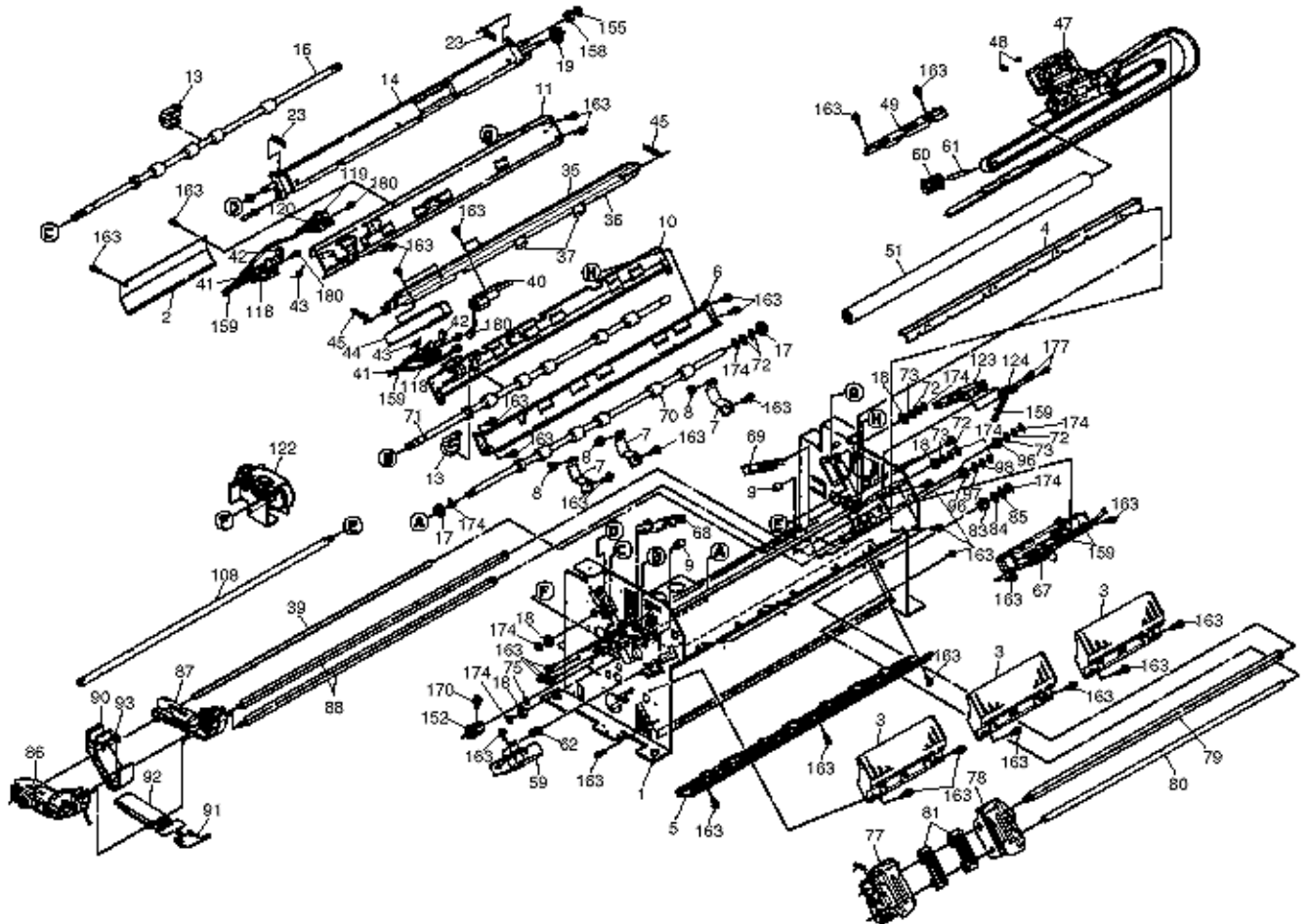
15	40678301	Frame Assy - Rear	1	
16	40755801	Frame Assy - OpePane	1	
17	40520501	Cover Rear (B)	1	
18	40627701	Guide - Paper (B)	1	
19	40738901	Cover Blank - (Lower)	1	
20	40777901	Plate - Earth (Cover Rear)	1	
21	40533301	Connection Cord - Wire	1	
22	56616806	Nylon Connector Cord	1	
23		Label	1	
24		Label Fuse	1	
25	55505203	TFC-20-10-10 Beads Core	1	
26		Cover Cable	1	
27-34		Screw		
35	40658201	Guide - Sheet	1	
36		Mechanical Clamp (L)	1	
37		Mechanical Clamp (R)	1	

---

Copyright 1998, Okidata, Division of OKI America, Inc. All rights reserved. See the OKIDATA Business Partner Exchange (BPX) for any updates to this material. (<http://bpx.okidata.com>)

## Service Guide for PM4410 Chapter 8 Parts List

Printer Unit (1 of 3)



No.	OKI Part #	OKI-J Part #	Name	Qty Per Unit
1	40538101		Printhead - PM4410	1
2	40677101		Cover Assy-Lower	1
3	40677201		Cover Assy-Front	1
4				
5	40677401		Door Assy-Front	1
6	40768901		Plate-Front (Sticking)	1
7	40520201		Cover Assy-Access	1
8	40677601		Cover Assy-Side (L)	1
9	40677901		Cover Assy-Side (R)	1
10	40678301		Frame Assy-Rear	1
11	40678901		Frame-Opene (Sticking)	1
12	40520501		Cover-Rear (B)	1
13	40627701		Guide-Paper (B)	1
14	40738901		Cover-Blank (Lower)	1
15	40777901		Plate-earth (Cover-Rear)	1

16	40658201		Guide-Sheet	1
17	40498801		Spring-Pressure	3
18		3PP4053-3795P001	Pressure Roller Piece	3
19		4PB4044-1358P002	Stopper	2
20		4PB4035-4456P001	Bearing	2
21		4LP-6418-13	Ball Bearing RSF (12*8 W = 3.5)	4
22	40608401		Drive Gear C	1
23	40608301		Drive Bear B	3
24		4PP3520-1306P001	Idle Gear	3
25	40555001		Bearing - Metal (Bail)	2
26	40511801		Lever - Bail Lift (L)	1
27	40511901		Lever - Bail Lift (R)	1
28	40499601		Bail Assy	1
29	40791701		Spring (Bail)	2
30	40745501		Screw Stud	1
31	40609201		Bail Gear Bracket Assy	1
32	40608501		Bail Motor Bracket Assy	1
33		4PP4122-1285P001	Gear (Z19-Z52)	3
34		4LR-200494	Brake Gear	2
35	40500801		AG Sensor Lever Assy	1
36	40501201		AG Sensor Coil Assy	1
37	40513401		Sensor Lever Assy	2
38	40596601		Ribbon Guide Post	2
39	40533501		Head Cable Assy (FM50P)	1
40	40502901		Protector Ribbon Assy	1
41	40887501		Paper Width Sensor / Ribbon SW cord (with Sensor Cover and Tie Wrap)	1
42	40474701		Space Belt	1
43	40099101		Spring (Lift Arm)	2
44	40622101		Head Cable Guide	3
45	40503401		Guide Assy - Ribbon	1
46	40627101		SP Motor	1
47		4PB4044-4138P001	Idle Pulley	1
48		4PP4044-4155P001	Pulley Shaft	1
49		4PB4044-4357P001	Tension Spring	1
50	40507901		Space Motor Fan	1
51	40719201		Head Cooling Fan 2	1
52	40505501		Head Cooling Fan 1	1
53	40505801		PG Cooling Fan	1
54	40887401		Ribbon Assy - Feed	1
55	40458201		Motor - Ribbon	1
56		4PP4044-4232P001	Waved Washer	1
57	40630001		Drive Pulley	2
58		4PP4053-1321P001	LF Knob Gear	1
59	40588401		Pan Washer Feed	1
60	40507401		Washer	1
61		4PP4043-2590P001	Bush	2
62	40507601		Sprocket Assy (L)	1
63	40508101		Sprocket Assy (R)	1
64	40508301		Front Tractor Drive Gear	1
65		4PP4044-3489P001	Tractor Bush	4
66	40508401		Washer	1
67	40588501		Pan Washer Tractor Feed	1
68		5LR-123467	Sheet Guide	2
69	40508701		Sheet Feeder Assy (L) Rear	1
70	40509101		Sheet Feeder Assy (R) Rear	1
71	40778401		Rear Tractor Drive Gear	1
72		4PP4044-4268P001	Drive Gear B	1
73	40555501		Rear Tractor Bush	4
74	40509501		Washer	2

75	40588601		Pan Washer Tractor Rear	2
76	40509601		Center Guide (U)	1
77		3PP4043-2453P001	Center Guide Lower A	1
78	40509701		Guide Lower B - Center	1
79		4PP4043-2451P001	Friction Piece	1
80	40510501		Change Motor Bracket Assy	1
81	40511101		Tractor Change Lever	1
82	40794401		Tractor Change Lever SP	1
83	40615101		LF Motor	1
84		4LP-1313-33	Mini-pitch Belt	1
85	40511201		LF Gear	1
86	40511301		Tractor Change Gear	1
87		4LB-190700-A	Coil Spring	1
88		4PP4044-2800P001	Idle Roller	1
89	40511401		Pulley Assy - Idle	1
90	40534201		Bail Open SW/Front Tractor ONSW Cord	1
91	40141301		Slit Disk	1
92	40472401		Change Motor	3
93		4PP4044-3594P001	Idle Gear C	1
94		5LR-191324	Tractor Idle Gear	1
95	40512501		AG Motor Bracket Assy	1
96	40751101		PGA Printed Circuit Board Specs (only PGA PCB)	1
97	40534601		AG Slit Sensor Cord	1
98	40513901		JAM Sensor Assy	1
99	40533901		Paper JAM/Bail PE Sensor Cord	1
100	40646401		Knob Bracket Assy	1
101	40794501		Knob Cover	1
102	40646101		Idle Gear Shaft	1
103		4PP4043-2502P001	CSF Drive Gear	1
104		4PP4044-4193P001	Adjust Knob	1
105		SPP3-14SUS	Spring Pin	1
106		4PP4043-1895P001	Stacker Gear	1
107	40750801		PHA Printed Circuit Board Specs (with I/F Board and Bracket)	1
108	40533801		I/F Connection Cable HIROSEFC68	1
109	40750901		PRA Printed Circuit Board Specs (only Trunk Board)	1
110		2051001P1000	Interlock SW (AV14053)	1
111	40785101		Interlock SW Connection Cord	1
112	40514401		Cover Open Lever	1
113	40514501		Interlock Switch Lever	1
114	40552901		Interlock Switch Lever SP	1
115	40534501		Cover Open SW/Ribbon Sensor Rotation Cord	1
116	40798701		Locking Wire Saddle	10
117	40798702		Locking Wire Saddle	10
118	40652901		Continuous Form Cutter Code	1
119	40820601		Operation Panel Code (with Core)	1
120	40795002		One-Touch Bush	5
121		4LP-6693-3	Flat Cable Clip (FCC-225 19.1*76.2)	1
122		4LP-6401-B1	Tie Wrap (SHT18R-HS/TY-23M)	1
123		4LP-6342-2	Wire Bundle Clamp	2
124		3200561J0620	Brake Resistor (62 Ohms, 15W)	1
125		3200560J0120	Oscillation Resistor (12 Ohms, 40W)	2
126		4PB3529-5116P001	Tapping Screw	
127		4PB4013-3100P006	Cup Screw (S Tight M3)	
128		4PB4053-1883P002	Cup Screw with Washer	6
129	40750403		PMA Printed Circuit Board Specs (no ROM, with Bracket, Sheet & Fuse)	1

130				
131		540A2067T1632	Fuse (237-06.3)	1
132		540A23036M1502	Fuse (GGS5)	1
133	40751201		Control ROM Writing Specs	1
134	40751301		Font ROM Writing Specs	1
135				
136				
137	40750701		PDA Printed Circuit Board Specs (with Driver Board and Bracket)	1
138	40414001		Power Supply	1
139	40534401		Trunk Board Cord	1
140	40785001		SP Slit Sensor Cord	1
141	40751001		POA Printed Circuit Board Specs (only Operation Panel Board)	1
142	40742901		LDC Assy (with Cord and Core)	1
143	40533301		Nylon Connector Cord (13P)	1
144		4YS4011-4311P006	Nylon Connector Cord (12P)	1

---

Copyright 1998, Okidata, Division of OKI America, Inc. All rights reserved. See the OKIDATA Business Partner Exchange (BPX) for any updates to this material. (<http://bpx.okidata.com>)



15	40777901		Plate-earth (Cover-Rear)	1
16	40658201		Guide-Sheet	1
17	40498801		Spring-Pressure	3
18		3PP4053-3795P001	Pressure Roller Piece	3
19		4PB4044-1358P002	Stopper	2
20		4PB4035-4456P001	Bearing	2
21		4LP-6418-13	Ball Bearing RSF (12*8 W = 3.5)	4
22	40608401		Drive Gear C	1
23	40608301		Drive Bear B	3
24		4PP3520-1306P001	Idle Gear	3
25	40555001		Bearing - Metal (Bail)	2
26	40511801		Lever - Bail Lift (L)	1
27	40511901		Lever - Bail Lift (R)	1
28	40499601		Bail Assy	1
29	40791701		Spring (Bail)	2
30	40745501		Screw Stud	1
31	40609201		Bail Gear Bracket Assy	1
32	40608501		Bail Motor Bracket Assy	1
33		4PP4122-1285P001	Gear (Z19-Z52)	3
34		4LR-200494	Brake Gear	2
35	40500801		AG Sensor Lever Assy	1
36	40501201		AG Sensor Coil Assy	1
37	40513401		Sensor Lever Assy	2
38	40596601		Ribbon Guide Post	2
39	40533501		Head Cable Assy (FM50P)	1
40	40502901		Protector Ribbon Assy	1
41	40887501		Paper Width Sensor / Ribbon SW cord (with Sensor Cover and Tie Wrap)	1
42	40474701		Space Belt	1
43	40099101		Spring (Lift Arm)	2
44	40622101		Head Cable Guide	3
45	40503401		Guide Assy - Ribbon	1
46	40627101		SP Motor	1
47		4PB4044-4138P001	Idle Pulley	1
48		4PP4044-4155P001	Pulley Shaft	1
49		4PB4044-4357P001	Tension Spring	1
50	40507901		Space Motor Fan	1
51	40719201		Head Cooling Fan 2	1
52	40505501		Head Cooling Fan 1	1
53	40505801		PG Cooling Fan	1
54	40887401		Ribbon Assy - Feed	1
55	40458201		Motor - Ribbon	1
56		4PP4044-4232P001	Waved Washer	1
57	40630001		Drive Pulley	2
58		4PP4053-1321P001	LF Knob Gear	1
59	40588401		Pan Washer Feed	1
60	40507401		Washer	1
61		4PP4043-2590P001	Bush	2
62	40507601		Sprocket Assy (L)	1
63	40508101		Sprocket Assy (R)	1
64	40508301		Front Tractor Drive Gear	1
65		4PP4044-3489P001	Tractor Bush	4
66	40508401		Washer	1
67	40588501		Pan Washer Tractor Feed	1
68		5LR-123467	Sheet Guide	2
69	40508701		Sheet Feeder Assy (L) Rear	1
70	40509101		Sheet Feeder Assy (R) Rear	1
71	40778401		Rear Tractor Drive Gear	1
72		4PP4044-4268P001	Drive Gear B	1
73	40555501		Rear Tractor Bush	4

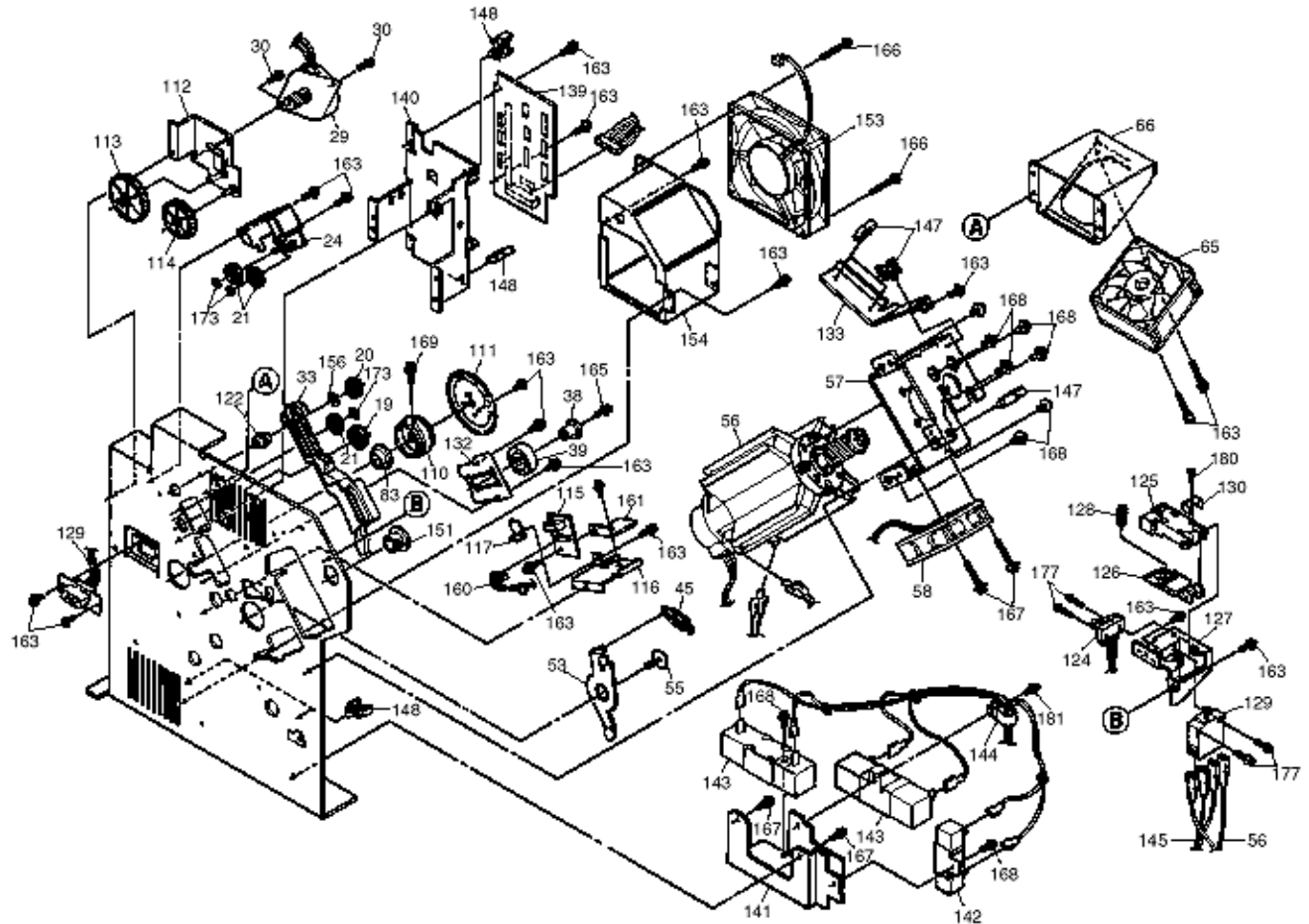
74	40509501		Washer	2
75	40588601		Pan Washer Tractor Rear	2
76	40509601		Center Guide (U)	1
77		3PP4043-2453P001	Center Guide Lower A	1
78	40509701		Guide Lower B - Center	1
79		4PP4043-2451P001	Friction Piece	1
80	40510501		Change Motor Bracket Assy	1
81	40511101		Tractor Change Lever	1
82	40794401		Tractor Change Lever SP	1
83	40615101		LF Motor	1
84		4LP-1313-33	Mini-pitch Belt	1
85	40511201		LF Gear	1
86	40511301		Tractor Change Gear	1
87		4LB-190700-A	Coil Spring	1
88		4PP4044-2800P001	Idle Roller	1
89	40511401		Pulley Assy - Idle	1
90	40534201		Bail Open SW/Front Tractor ONSW Cord	1
91	40141301		Slit Disk	1
92	40472401		Change Motor	3
93		4PP4044-3594P001	Idle Gear C	1
94		5LR-191324	Tractor Idle Gear	1
95	40512501		AG Motor Bracket Assy	1
96	40751101		PGA Printed Circuit Board Specs (only PGA PCB)	1
97	40534601		AG Slit Sensor Cord	1
98	40513901		JAM Sensor Assy	1
99	40533901		Paper JAM/Bail PE Sensor Cord	1
100	40646401		Knob Bracket Assy	1
101	40794501		Knob Cover	1
102	40646101		Idle Gear Shaft	1
103		4PP4043-2502P001	CSF Drive Gear	1
104		4PP4044-4193P001	Adjust Knob	1
105		SPP3-14SUS	Spring Pin	1
106		4PP4043-1895P001	Stacker Gear	1
107	40750801		PHA Printed Circuit Board Specs (with I/F Board and Bracket)	1
108	40533801		I/F Connection Cable HIROSEFC68	1
109	40750901		PRA Printed Circuit Board Specs (only Trunk Board)	1
110		2051001P1000	Interlock SW (AV14053)	1
111	40785101		Interlock SW Connection Cord	1
112	40514401		Cover Open Lever	1
113	40514501		Interlock Switch Lever	1
114	40552901		Interlock Switch Lever SP	1
115	40534501		Cover Open SW/Ribbon Sensor Rotation Cord	1
116	40798701		Locking Wire Saddle	10
117	40798702		Locking Wire Saddle	10
118	40652901		Continuous Form Cutter Code	1
119	40820601		Operation Panel Code (with Core)	1
120	40795002		One-Touch Bush	5
121		4LP-6693-3	Flat Cable Clip (FCC-225 19.1*76.2)	1
122		4LP-6401-B1	Tie Wrap (SHT18R-HS/TY-23M)	1
123		4LP-6342-2	Wire Bundle Clamp	2
124		3200561J0620	Brake Resistor (62 Ohms, 15W)	1
125		3200560J0120	Oscillation Resistor (12 Ohms, 40W)	2
126		4PB3529-5116P001	Tapping Screw	
127		4PB4013-3100P006	Cup Screw (S Tight M3)	
128		4PB4053-1883P002	Cup Screw with Washer	6

129	40750403		PMA Printed Circuit Board Specs (no ROM, with Bracket, Sheet & Fuse)	1
130				
131		540A2067T1632	Fuse (237-06.3)	1
132		540A23036M1502	Fuse (GGS5)	1
133	40751201		Control ROM Writing Specs	1
134	40751301		Font ROM Writing Specs	1
135				
136				
137	40750701		PDA Printed Circuit Board Specs (with Driver Board and Bracket)	1
138	40414001		Power Supply	1
139	40534401		Trunk Board Cord	1
140	40785001		SP Slit Sensor Cord	1
141	40751001		POA Printed Circuit Board Specs (only Operation Panel Board)	1
142	40742901		LDC Assy (with Cord and Core)	1
143	40533301		Nylon Connector Cord (13P)	1
144		4YS4011-4311P006	Nylon Connector Cord (12P)	1

---

Copyright 1998, Okidata, Division of OKI America, Inc. All rights reserved. See the OKIDATA Business Partner Exchange (BPX) for any updates to this material. (<http://bpx.okidata.com>)

Printer Unit (3 of 3)



No.	OKI Part #	OKI-J Part #	Name	Qty Per Unit
1	40538101		Printhead - PM4410	1
2	40677101		Cover Assy-Lower	1
3	40677201		Cover Assy-Front	1
4				
5	40677401		Door Assy-Front	1
6	40768901		Plate-Front (Sticking)	1
7	40520201		Cover Assy-Access	1
8	40677601		Cover assy-Side (L)	1
9	40677901		Cover assy-Side (R)	1
10	40678301		Frame assy-Rear	1
11	40678901		Frame-Opepane (Sticking)	1
12	40520501		Cover-Rear (B)	1
13	40627701		Guide-Paper (B)	1
14	40738901		Cover-Blank (Lower)	1
15	40777901		Plate-earth (Cover-Rear)	1

16	40658201		Guide-Sheet	1
17	40498801		Spring-Pressure	3
18		3PP4053-3795P001	Pressure Roller Piece	3
19		4PB4044-1358P002	Stopper	2
20		4PB4035-4456P001	Bearing	2
21		4LP-6418-13	Ball Bearing RSF (12*8 W = 3.5)	4
22	40608401		Drive Gear C	1
23	40608301		Drive Bear B	3
24		4PP3520-1306P001	Idle Gear	3
25	40555001		Bearing - Metal (Bail)	2
26	40511801		Lever - Bail Lift (L)	1
27	40511901		Lever - Bail Lift (R)	1
28	40499601		Bail Assy	1
29	40791701		Spring (Bail)	2
30	40745501		Screw Stud	1
31	40609201		Bail Gear Bracket Assy	1
32	40608501		Bail Motor Bracket Assy	1
33		4PP4122-1285P001	Gear (Z19-Z52)	3
34		4LR-200494	Brake Gear	2
35	40500801		AG Sensor Lever Assy	1
36	40501201		AG Sensor Coil Assy	1
37	40513401		Sensor Lever Assy	2
38	40596601		Ribbon Guide Post	2
39	40533501		Head Cable Assy (FM50P)	1
40	40502901		Protector Ribbon Assy	1
41	40887501		Paper Width Sensor / Ribbon SW cord (with Sensor Cover and Tie Wrap)	1
42	40474701		Space Belt	1
43	40099101		Spring (Lift Arm)	2
44	40622101		Head Cable Guide	3
45	40503401		Guide Assy - Ribbon	1
46	40627101		SP Motor	1
47		4PB4044-4138P001	Idle Pulley	1
48		4PP4044-4155P001	Pulley Shaft	1
49		4PB4044-4357P001	Tension Spring	1
50	40507901		Space Motor Fan	1
51	40719201		Head Cooling Fan 2	1
52	40505501		Head Cooling Fan 1	1
53	40505801		PG Cooling Fan	1
54	40887401		Ribbon Assy - Feed	1
55	40458201		Motor - Ribbon	1
56		4PP4044-4232P001	Waved Washer	1
57	40630001		Drive Pulley	2
58		4PP4053-1321P001	LF Knob Gear	1
59	40588401		Pan Washer Feed	1
60	40507401		Washer	1
61		4PP4043-2590P001	Bush	2
62	40507601		Sprocket Assy (L)	1
63	40508101		Sprocket Assy (R)	1
64	40508301		Front Tractor Drive Gear	1
65		4PP4044-3489P001	Tractor Bush	4
66	40508401		Washer	1
67	40588501		Pan Washer Tractor Feed	1
68		5LR-123467	Sheet Guide	2
69	40508701		Sheet Feeder Assy (L) Rear	1
70	40509101		Sheet Feeder Assy (R) Rear	1
71	40778401		Rear Tractor Drive Gear	1
72		4PP4044-4268P001	Drive Gear B	1
73	40555501		Rear Tractor Bush	4
74	40509501		Washer	2

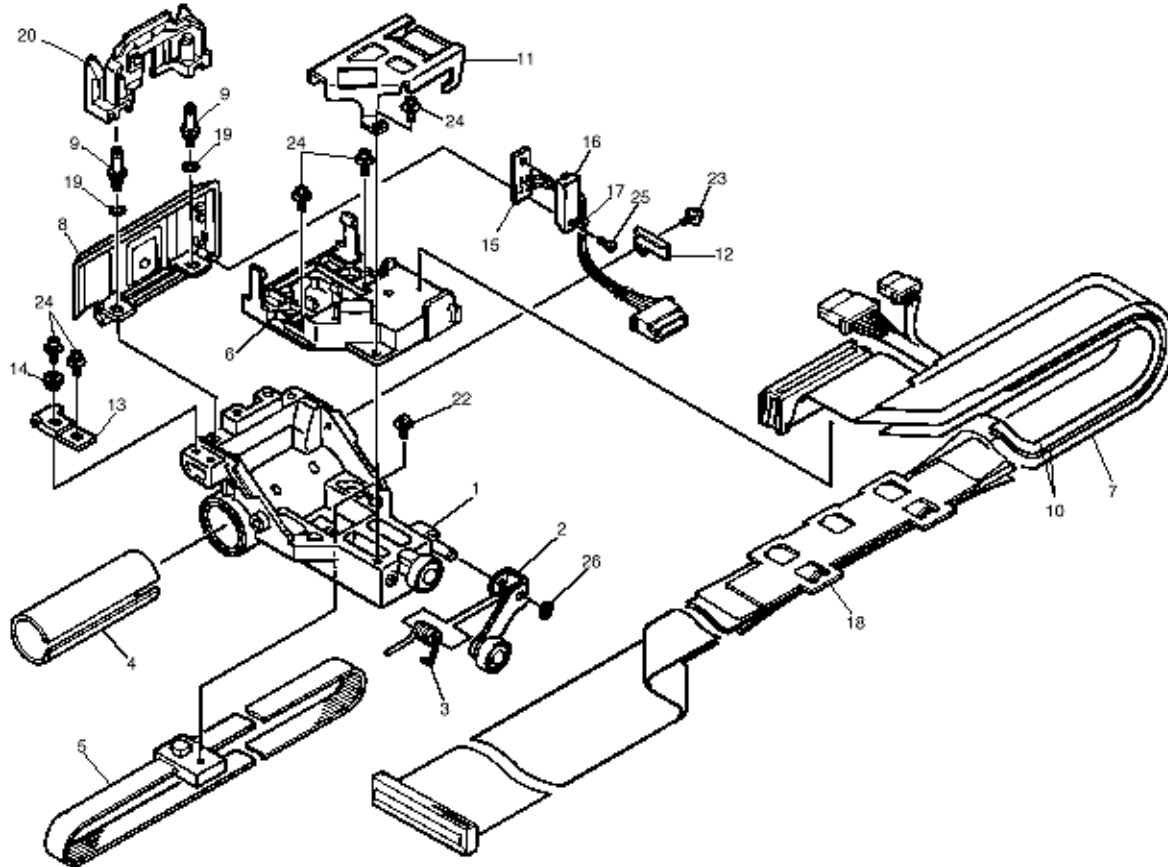
75	40588601		Pan Washer Tractor Rear	2
76	40509601		Center Guide (U)	1
77		3PP4043-2453P001	Center Guide Lower A	1
78	40509701		Guide Lower B - Center	1
79		4PP4043-2451P001	Friction Piece	1
80	40510501		Change Motor Bracket Assy	1
81	40511101		Tractor Change Lever	1
82	40794401		Tractor Change Lever SP	1
83	40615101		LF Motor	1
84		4LP-1313-33	Mini-pitch Belt	1
85	40511201		LF Gear	1
86	40511301		Tractor Change Gear	1
87		4LB-190700-A	Coil Spring	1
88		4PP4044-2800P001	Idle Roller	1
89	40511401		Pulley Assy - Idle	1
90	40534201		Bail Open SW/Front Tractor ONSW Cord	1
91	40141301		Slit Disk	1
92	40472401		Change Motor	3
93		4PP4044-3594P001	Idle Gear C	1
94		5LR-191324	Tractor Idle Gear	1
95	40512501		AG Motor Bracket Assy	1
96	40751101		PGA Printed Circuit Board Specs (only PGA PCB)	1
97	40534601		AG Slit Sensor Cord	1
98	40513901		JAM Sensor Assy	1
99	40533901		Paper JAM/Bail PE Sensor Cord	1
100	40646401		Knob Bracket Assy	1
101	40794501		Knob Cover	1
102	40646101		Idle Gear Shaft	1
103		4PP4043-2502P001	CSF Drive Gear	1
104		4PP4044-4193P001	Adjust Knob	1
105		SPP3-14SUS	Spring Pin	1
106		4PP4043-1895P001	Stacker Gear	1
107	40750801		PHA Printed Circuit Board Specs (with I/F Board and Bracket)	1
108	40533801		I/F Connection Cable HIROSEFC68	1
109	40750901		PRA Printed Circuit Board Specs (only Trunk Board)	1
110		2051001P1000	Interlock SW (AV14053)	1
111	40785101		Interlock SW Connection Cord	1
112	40514401		Cover Open Lever	1
113	40514501		Interlock Switch Lever	1
114	40552901		Interlock Switch Lever SP	1
115	40534501		Cover Open SW/Ribbon Sensor Rotation Cord	1
116	40798701		Locking Wire Saddle	10
117	40798702		Locking Wire Saddle	10
118	40652901		Continuous Form Cutter Code	1
119	40820601		Operation Panel Code (with Core)	1
120	40795002		One-Touch Bush	5
121		4LP-6693-3	Flat Cable Clip (FCC-225 19.1*76.2)	1
122		4LP-6401-B1	Tie Wrap (SHT18R-HS/TY-23M)	1
123		4LP-6342-2	Wire Bundle Clamp	2
124		3200561J0620	Brake Resistor (62 Ohms, 15W)	1
125		3200560J0120	Oscillation Resistor (12 Ohms, 40W)	2
126		4PB3529-5116P001	Tapping Screw	
127		4PB4013-3100P006	Cup Screw (S Tight M3)	
128		4PB4053-1883P002	Cup Screw with Washer	6
129	40750403		PMA Printed Circuit Board Specs (no ROM, with Bracket, Sheet & Fuse)	1

130				
131		540A2067T1632	Fuse (237-06.3)	1
132		540A23036M1502	Fuse (GGS5)	1
133	40751201		Control ROM Writing Specs	1
134	40751301		Font ROM Writing Specs	1
135				
136				
137	40750701		PDA Printed Circuit Board Specs (with Driver Board and Bracket)	1
138	40414001		Power Supply	1
139	40534401		Trunk Board Cord	1
140	40785001		SP Slit Sensor Cord	1
141	40751001		POA Printed Circuit Board Specs (only Operation Panel Board)	1
142	40742901		LDC Assy (with Cord and Core)	1
143	40533301		Nylon Connector Cord (13P)	1
144		4YS4011-4311P006	Nylon Connector Cord (12P)	1

---

Copyright 1998, Okidata, Division of OKI America, Inc. All rights reserved. See the OKIDATA Business Partner Exchange (BPX) for any updates to this material. (<http://bpx.okidata.com>)

Carriage Assembly



No.	Parts No.	Name	Qty	Remarks
1	40502001	Frame Carriage	1	
2	40547701	Bias Roller Assy	1	
3	51706401	Spring	1	
4	40474701	Felt	1	
5		Space Belt	1	
6		Guide - Connector	1	
7	40533501	Connection Cord - Flat	1	
8	40502901	Protector Ribbon Assy	1	
9	40596601	Ribbon Guide Post	1	
10	40622101	Head Cable Guide	1	
11		Cable Holder	1	
12		Clamp - Cord	1	
13		AG Plate	1	
14		Hexagon Eccentric Shoulder	1	
15		Connection Cord Paper Width Sensor / Dislocated Ribbon SW	1	
16		Cover - Sensor	1	
17		SHT18R-HS/TY-23M Tie Wrap	1	

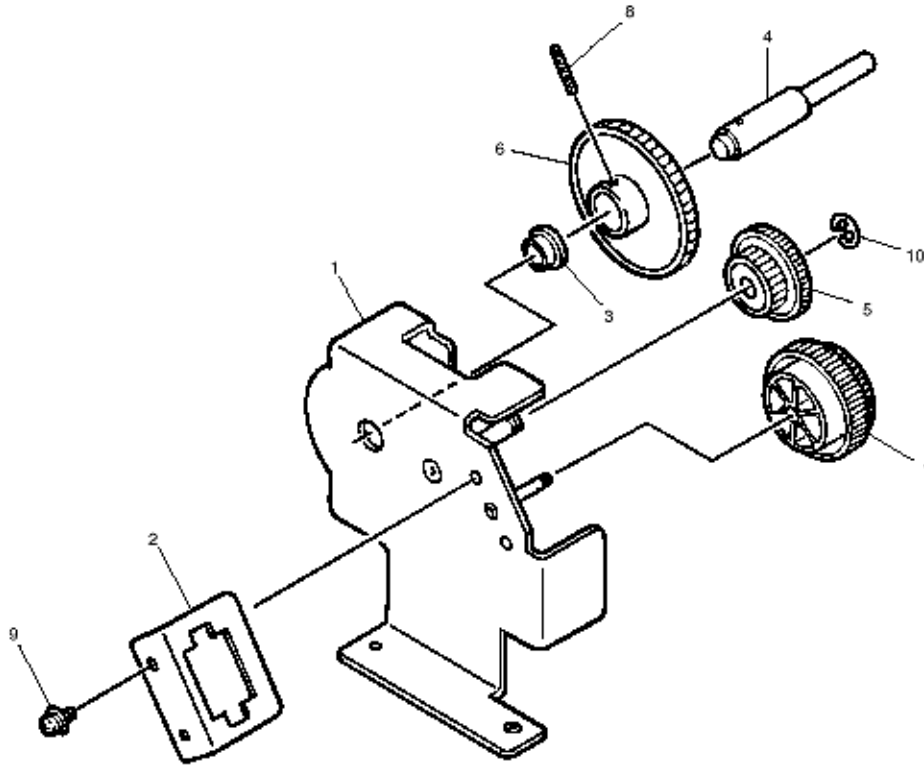
18		Clamp Cable	1	
19	40503401	Washer	1	
20		Guide Assy - Ribbon	1	
21				
22-24		Screw	1	
25		Tapping Screw	1	
26		E-Ring	1	

---

Copyright 1998, Okidata, Division of OKI America, Inc. All rights reserved. See the OKIDATA Business Partner Exchange (BPX) for any updates to this material. (<http://bpx.okidata.com>)

**Service Guide for PM4410**  
**Chapter 8 Parts List**

**Knob Assembly**



No.	Parts No.	Name	Qty	Remarks
1	40646401	Bracket Assy - Knob	1	
2	40794501	Knob Cover	1	
3	51609701	Bush	1	
4	40646101	Idle Gear Shaft	1	
5	51240201	Gear (Z19-52)	1	
6	51241001	CSF Drive Gear	1	
7	51902701	Adjust Knob	1	
8	54004201	Spring Pin	1	
9		Screw	1	
10		E Ring	1	

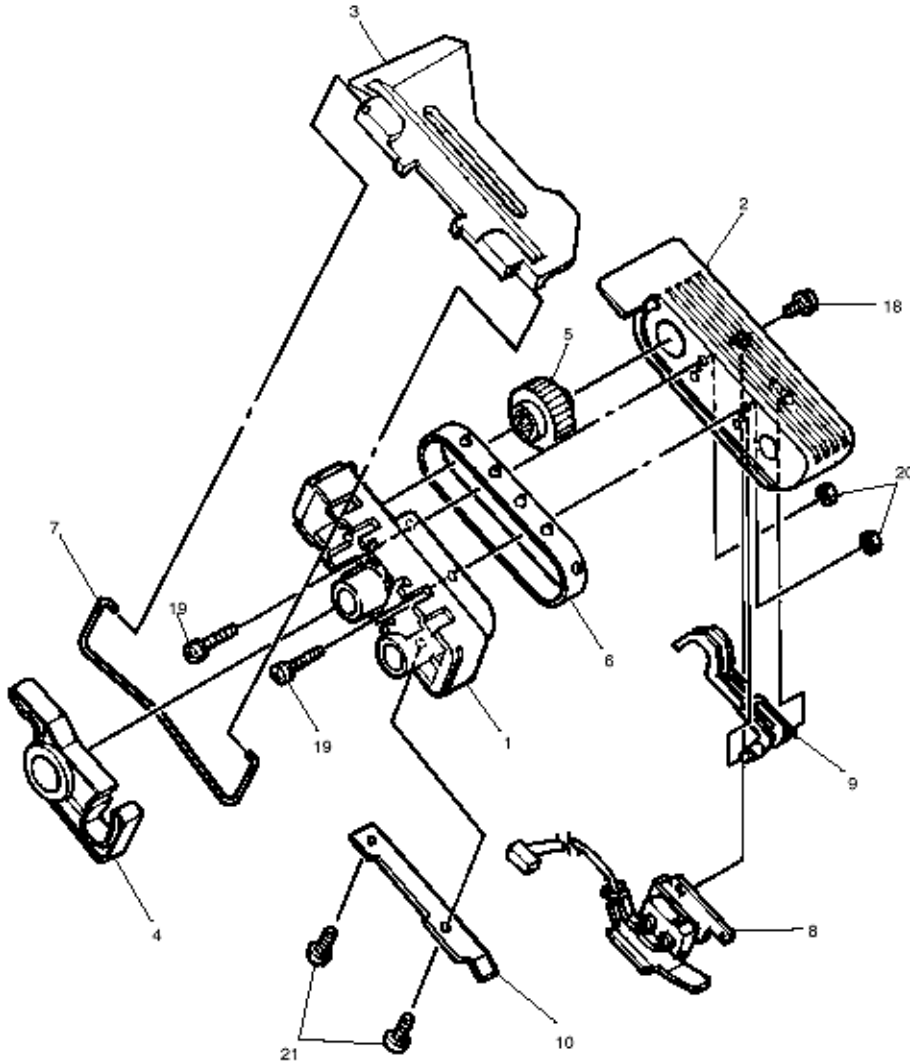


13		Screw	1	
14		Screw	1	
15		Screw	1	

---

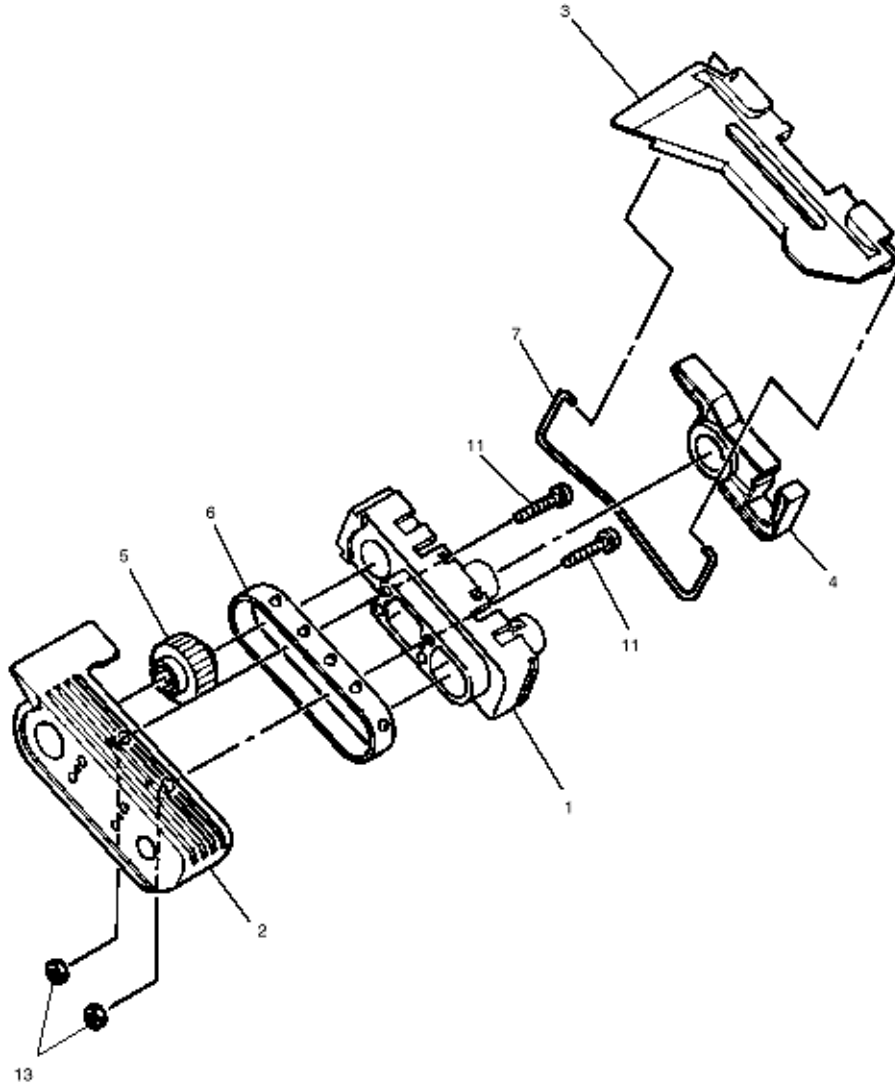
Copyright 1998, Okidata, Division of OKI America, Inc. All rights reserved. See the OKIDATA Business Partner Exchange (BPX) for any updates to this material. (<http://bpx.okidata.com>)

---

**Sprocket Assembly (L)**

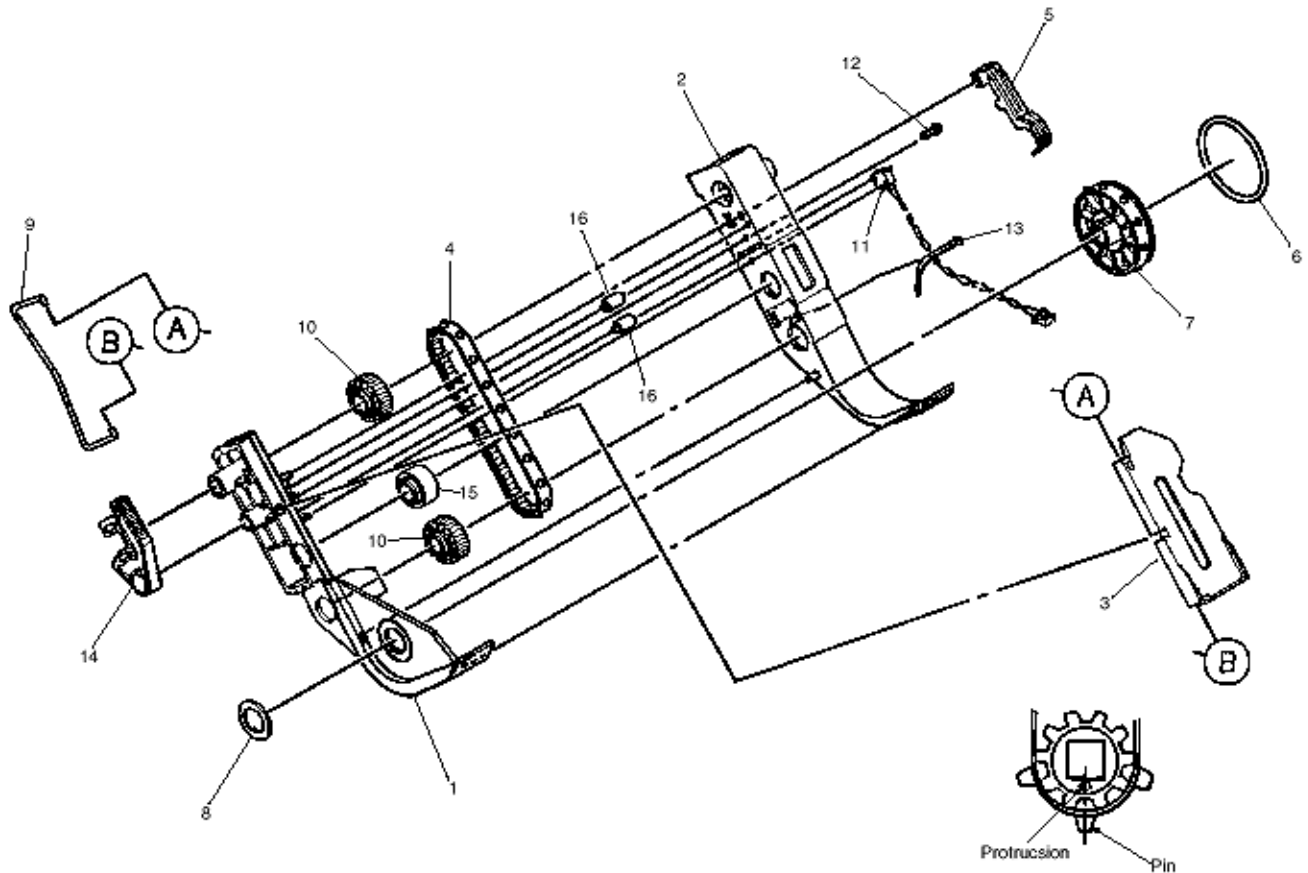
Sprocket Assembly - L - 40507601

---

**Sprocket Assembly (R)**

Sprocket Assy (R) - 40508101

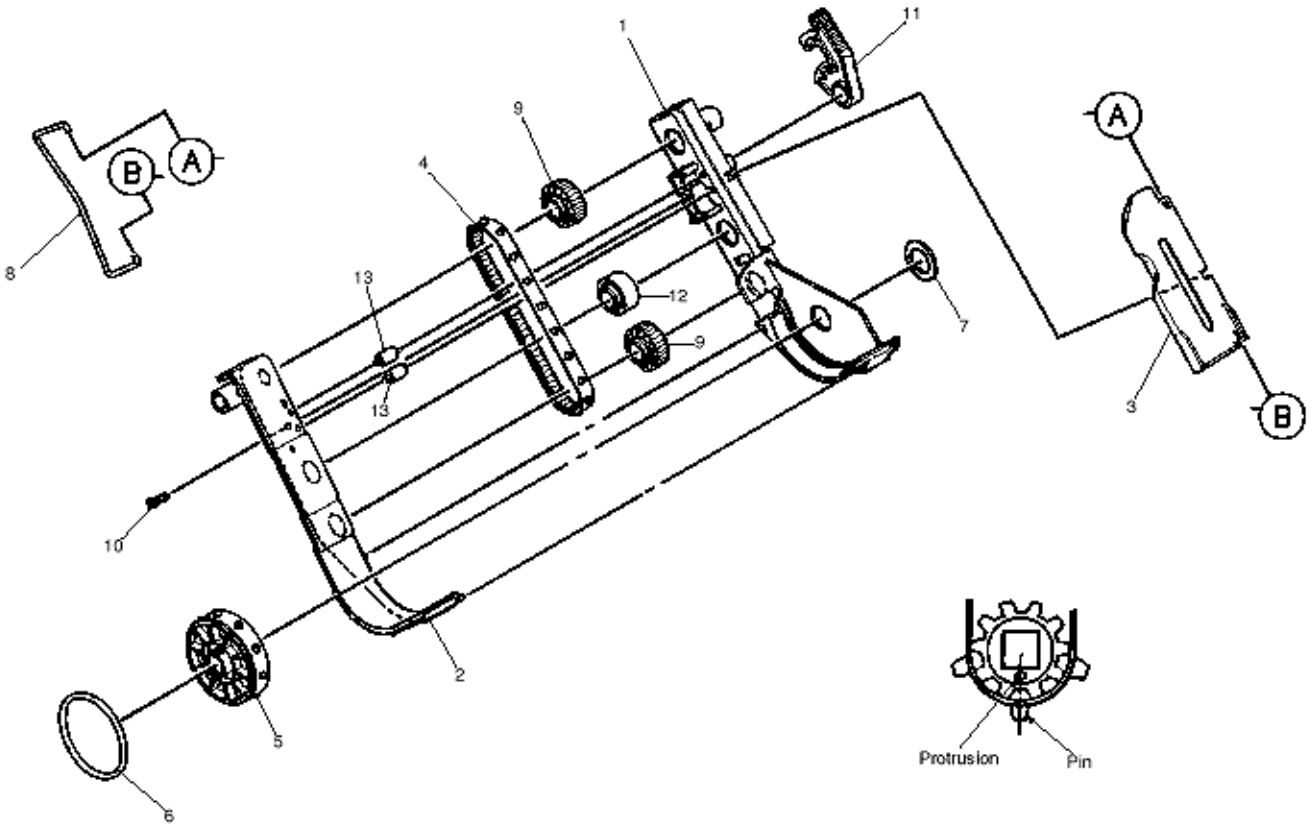
Sheet Feeder Assembly (L) Rear



Note . Assembly should be done, meeting the protrusion 10 to the pin 4.

Sheet Feeder Assembly (L) Rear - P/N 40508701

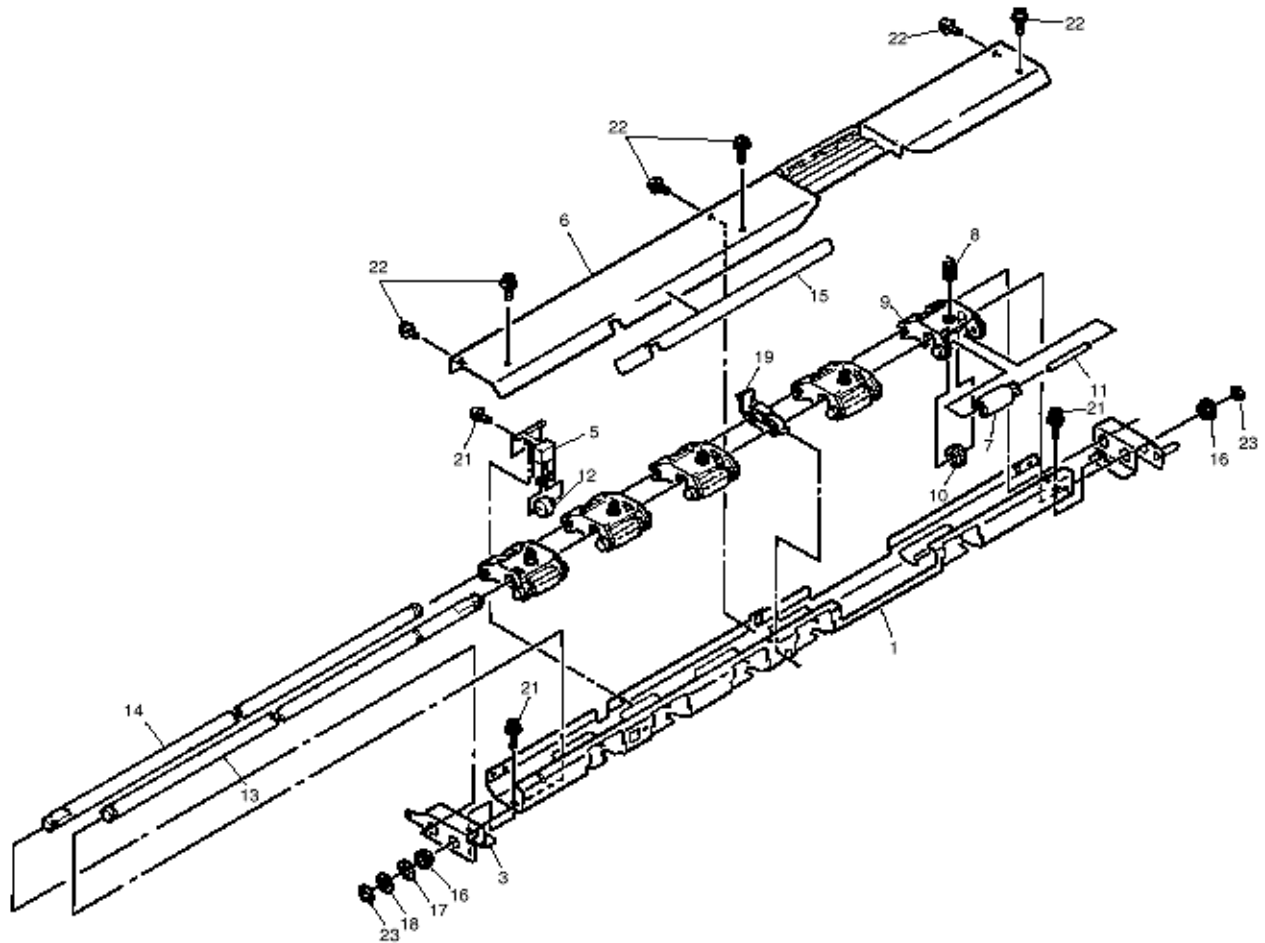
Sheet Feeder Assembly (R) Rear



Note : Assembly should be done, meeting the protrusion 8 to the pin 4.

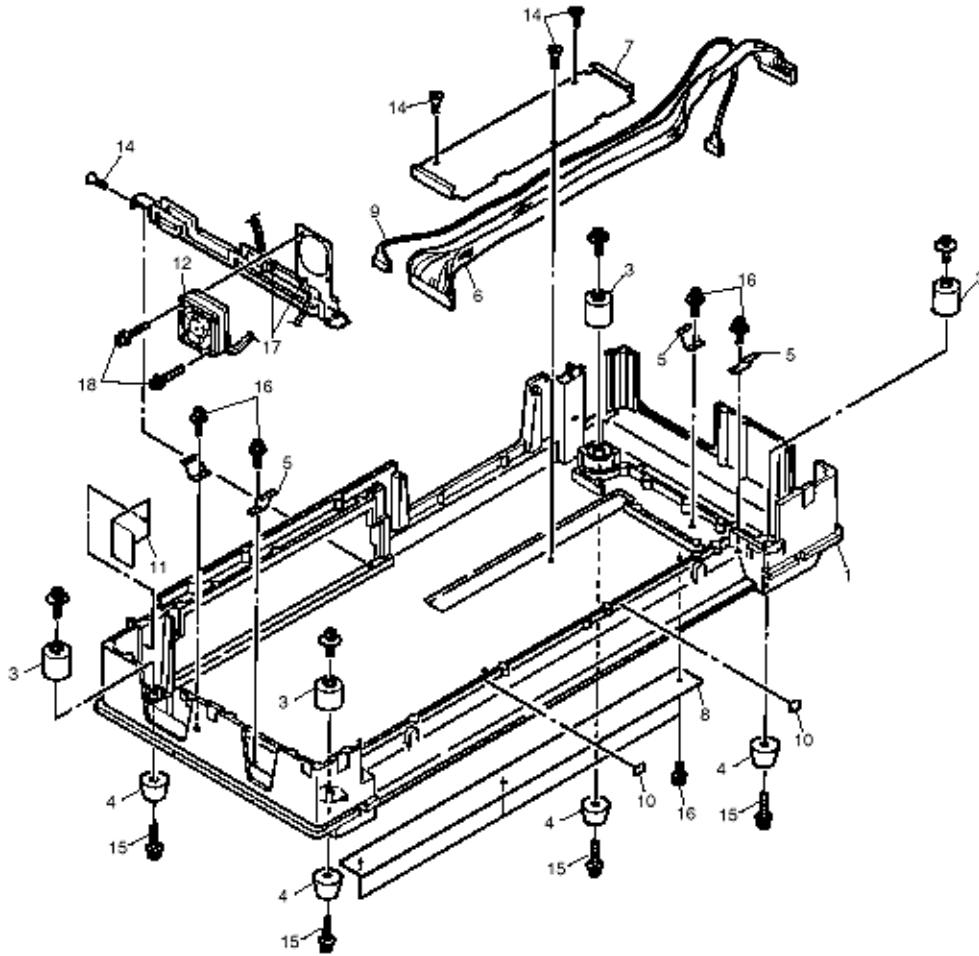
Sheet Feeder Assembly (R) Rear - P/N 40509101

---

**Bail Assembly**

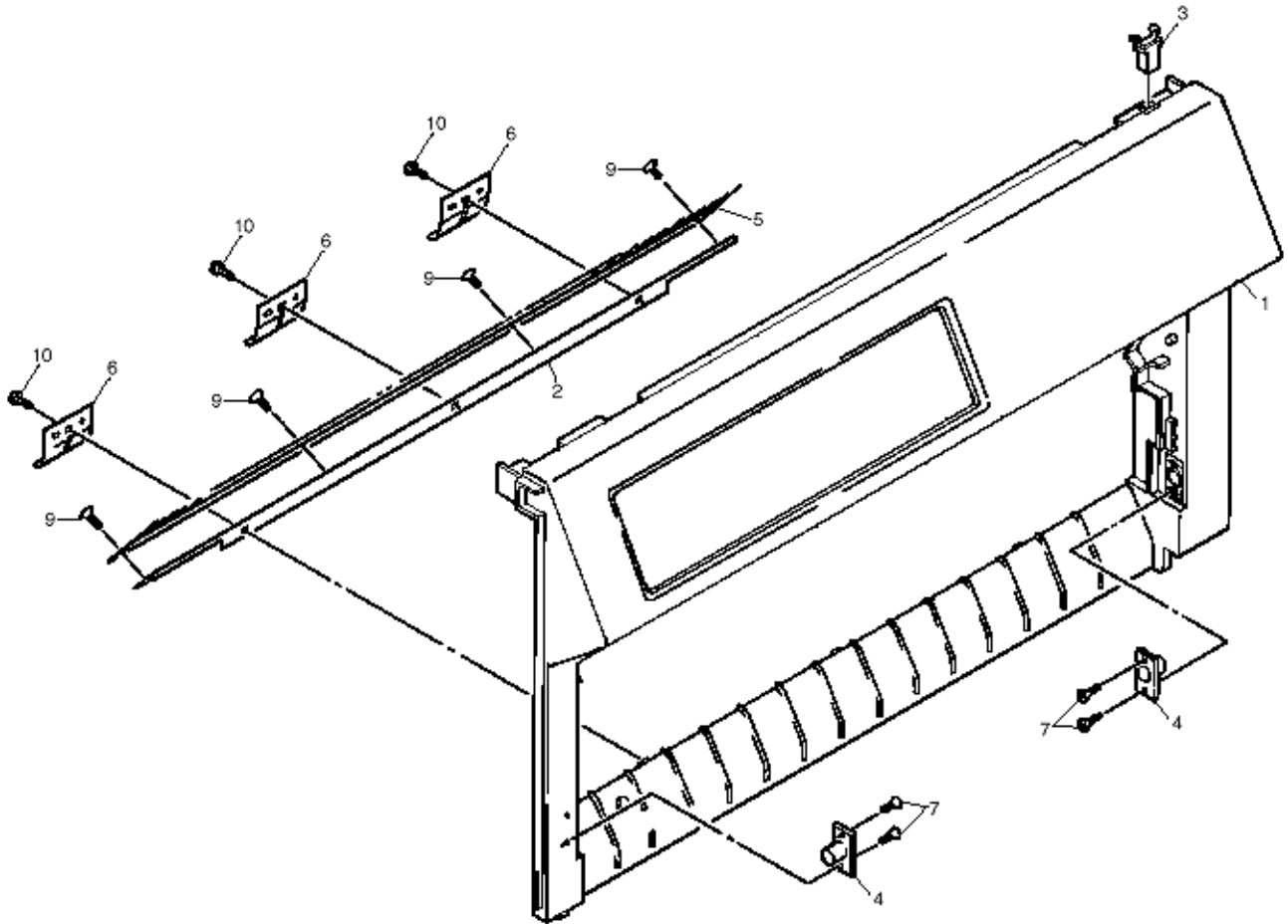
Bail Assembly - P/N 40499601

Lower Cover Assembly



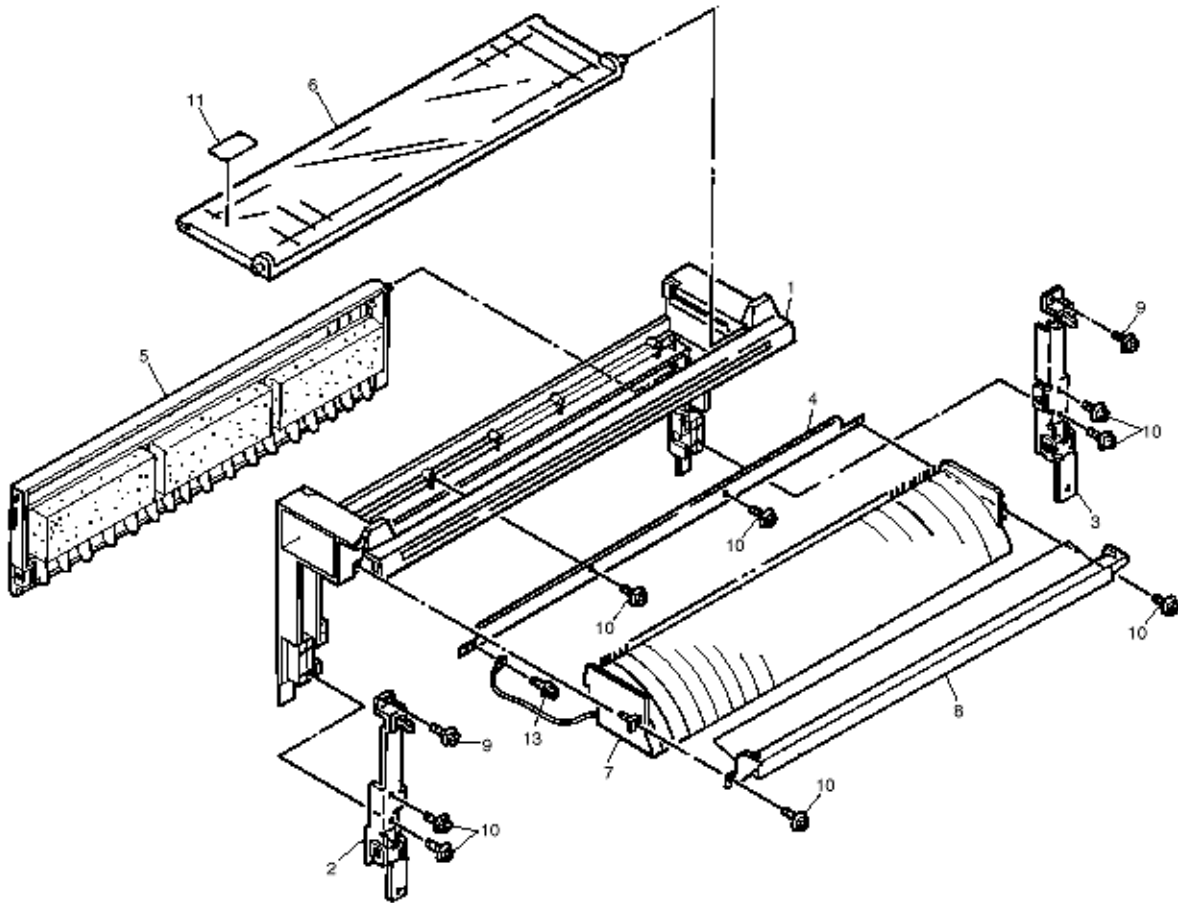
Lower Cover Assy - P/N 40677101

---

**Front Cover Assembly**

Front Cover Assembly - P/N 40677201

---

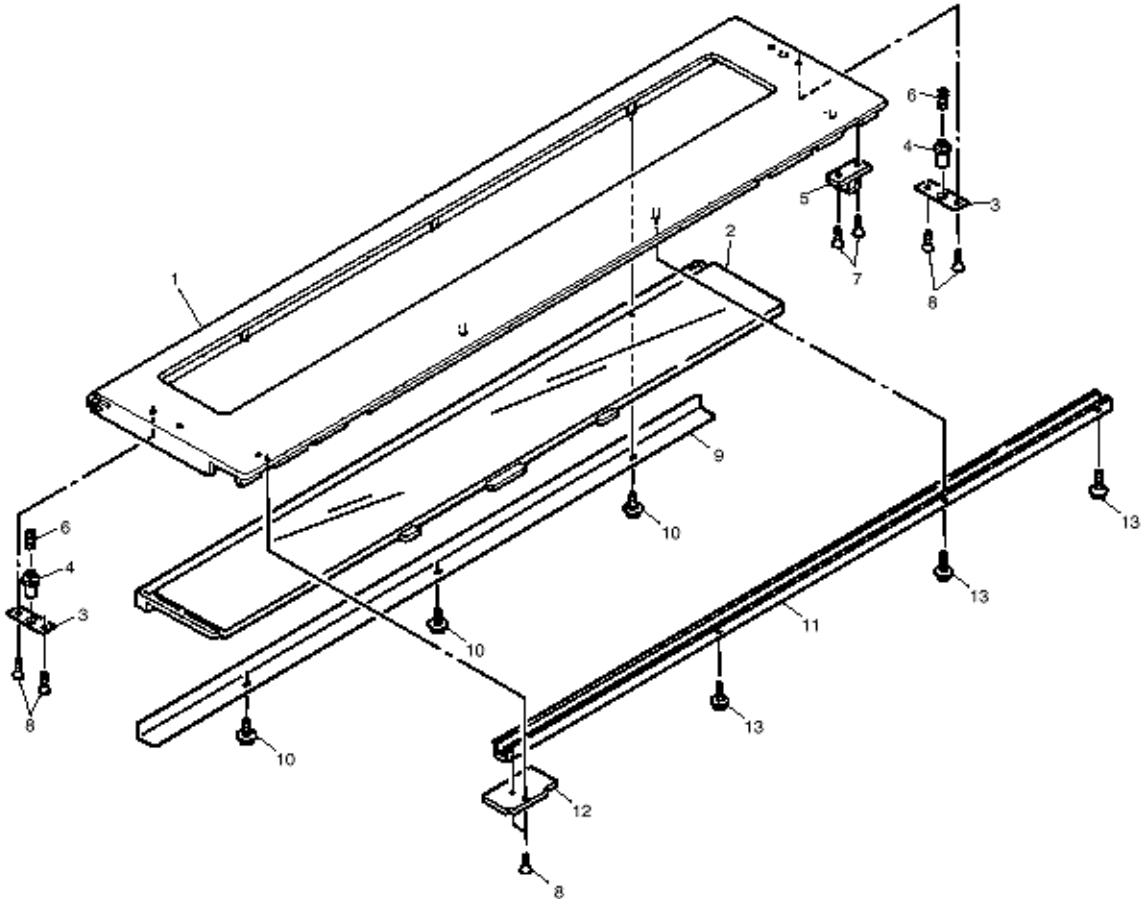
**Rear Cover Assembly**

Rear Cover Assembly - P/N 40678301

### Service Guide for PM4410 Chapter 8 Parts List

---

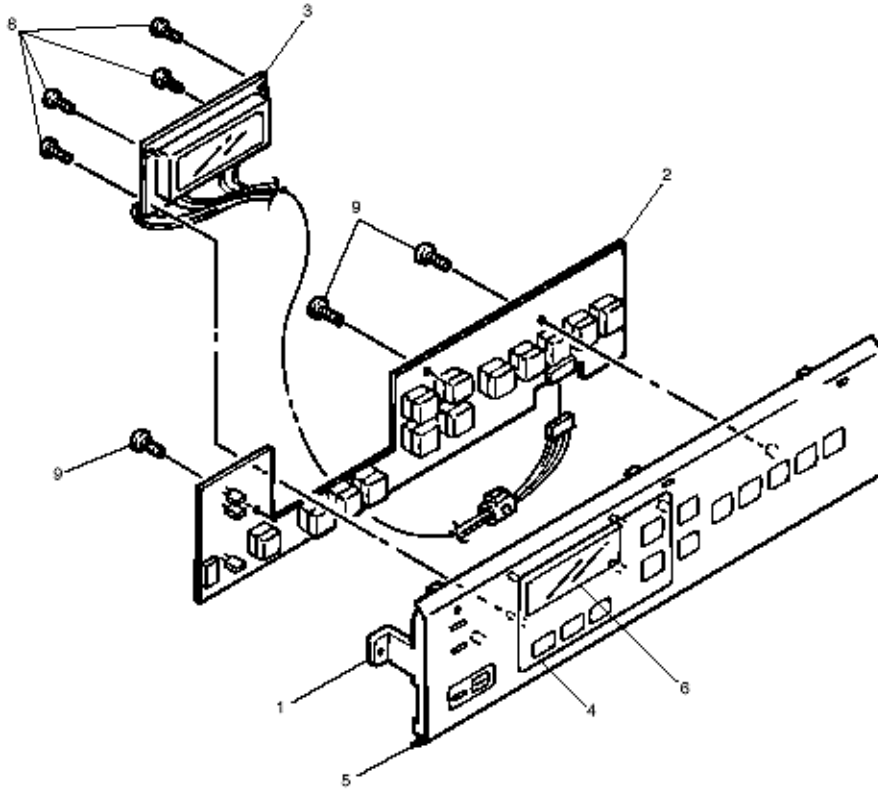
Access Cover



Access Cover - P/N 40520201

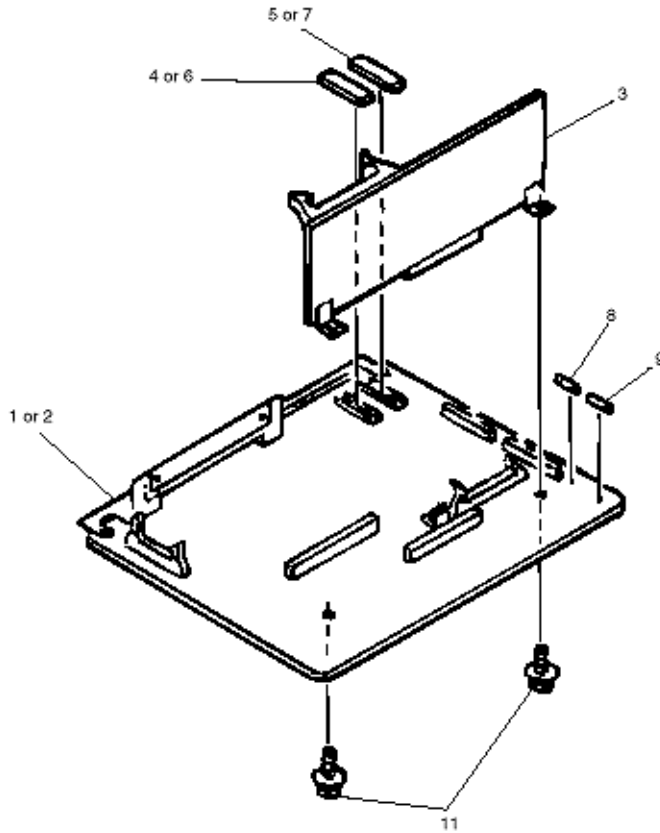
---

Frame Assembly - OpePane



Frame Assembly OpePane - P/N - 40755801

**PMA/PDA PCB Assembly**



No.	Parts No.	Name	Qty	Remarks
1	40750403	PMA-PCB Without ROM	1	
2	40750402	PMA-PCB	1	
3	40750701	PDA-PCB	1	
4	40751201	Control ROM Writing Specifications	1	
5	40751301	Font ROM Writing Specifications	1	
6		Control ROM Writing Specifications	1	
7		Font ROM Writing Specifications	1	
8	56306132	Fuse (237-06.3)	1	
9	56305901	Fuse (GGS5)	1	
10			1	
11		Screw	1	