

This document was provided by

# Compu*Direct*, Inc.

As a service to our customers.

If you received this file from anywhere other than

<http://www.printermalls.com>

please let us know at

[info@printermalls.com](mailto:info@printermalls.com)



## Service Guide ML520/521

### Chapter B Illustrated Parts Listing

---

#### Format

The format for this appendix is a series of tables with diagrams. The tables contain the item reference number, the Okidata and Oki-Japan (Oki-J) part numbers, the part description, a comments section, and the disassembly procedure.

Item	Okidata P/N Oki-J P/N	Description	Comments Refer to B.1.02	Disassembly Procedure
------	--------------------------	-------------	-----------------------------	--------------------------

Items with the comments RSPL (Recommended Spare Parts List), Consumable, Document, or Option are available from Okidata. Items without these comments are usually not stocked.

Some items are only available as assemblies. Every effort has been made to clearly indicate which items are in assemblies and which are not.

N/A will appear where a part number is not available.

---

Copyright 1997, Okidata, Division of OKI America, Inc. All rights reserved. See the OKIDATA Business Partner Exchange (BPX) for any updates to this material. (<http://bpx.okidata.com>)

---

### **Current Part Numbers**

Okidata has made every effort to include current part numbers in this Service Handbook *at the time of publishing*.

However, technical information frequently changes. These changes often include new or modified parts, with new or modified part numbers.

Please refer to the following resources for current part numbers and pricing.

- Okidata's Electronic Bulletin Board (Okilink II) contains current part numbers, prices, and recommended stocking levels for each item listed as a recommended spare part. For instructions on accessing Okilink II, refer to the Service Center Reference Guide.
- Okidata's Faxable Facts is an automated fax document retrieval system. Part numbers and pricing are available through Faxable Facts. For instructions on accessing Faxable Facts, refer to the Service Center Reference Guide.
- Okidata's Technical Information Group is a telephone support line reserved for Authorized Dealers. Part numbers and pricing are available through Technical Information. For instructions on accessing Technical Information, refer to the Service Center Reference Guide.

### **REMEMBER**

*Current part numbers, recommended stocking levels, and pricing information are available through Okilink II, Faxable Facts, and Technical Information. Refer to the Service Center Reference Guide for information on accessing these resources.*

---

## B.1.02 Definition of Terms

### Assemblies

Assemblies are parts grouped under a single description and/or part number. Generally, individual items in an assembly are not available from Okidata.

Assemblies are surrounded by broken line boxes in the diagrams.

Assemblies will say "Includes xx xx" under the *Comments* section of the tables.

Parts in assemblies will say "Part of xx" under the *Comments* section of the tables.

### Blank

Okidata does not recommend stocking this item. This item should be purchased on an **As Required Basis** only.

The availability of this item is *NOT* guaranteed by Okidata.

### Consumable

A consumable is a supply item which has a specified life and must be periodically replaced. It is purchased and installed by the end user. Okidata machines are designed to work *exclusively* with Okidata consumables. By using genuine Okidata consumable products, the investment made in the equipment is protected.

### Document

A document is a printed item which supports the service and marketing of a product. Various documents are available from Okidata.

### Drivers

Printer drivers are updated frequently. Please refer to Okilink II for the latest printer driver information.

### Firmware

Firmware is revised frequently. Please refer to Okilink II for the latest firmware information.

### Option

An option is a part/assembly which is added to a product. The option expands the products functionality. An option may or may not be installed by the end user. Instructions for installation accompany each option.

### Option RSPL

Okidata recommends that this part/assembly be on hand for servicing installed options.

### RSPL

Okidata recommends that this part/assembly be on hand for servicing.

### Technical Service Bulletins

Technical Service Bulletins (TSBs) are also referred to as Okidata's monthly mail.

The TSBs contain the latest information on firmware revisions, procedure changes, and technical

information updates.

Okidata distributes the TSBs through Okilink II. The TSBs are issued monthly.

**520**

This part is specific to the Microline 520 printer.

**521**

This part is specific to the Microline 521 printer.

**Both**

This part is used by both the Microline 520 and Microline 521 printers.

---

Copyright 1997, Okidata, Division of OKI America, Inc. All rights reserved. See the OKIDATA Business Partner Exchange (BPX) for any updates to this material. (<http://bpx.okidata.com>)

---

### **B.1.03 Parts Ordering Information**

#### **Service Center Reference Guide**

When a technician has successfully completed a Service Training Course for a product and the Dealer has become Service Authorized, an information package is provided to the Dealer. The Okidata Service Center Reference Guide outlines the following items.

- Responsibilities of Okidata Service Centers
- Spare parts and consumables information
- Procedures for warranty repairs
- Product Training, Certification, and Authorization
- Product Support information
- Okidata Depot information and services
- Third Party Service information
- Information about Okidata's Customer Information Center
- Okidata Service and Support telephone numbers.

The Service Center Reference Guide contains the procedures to follow for ordering parts. Please *read*, *understand*, and *follow* these procedures. Service Authorization for a specific product *must* be obtained before a Dealer can submit warranty claims.

Direct questions regarding the Service Center Reference Guide to Okidata Dealer Service. Refer to the Service Center Reference Guide for information on contacting Okidata.

#### **Placing a Parts Order**

All authorized Okidata resellers may order spare parts and consumables for Okidata products. Orders are placed through Okidata's Logistics Department.

Please refer to your Service Center Reference Guide for details on ordering parts.

You should have the following information available *before* you place your order.














- Okidata Dealer Authorization Number
- Okidata Customer Number
- Your Purchase Order Number
- Okidata Part Number(s)

Use this Appendix, Okilink II, Faxable Facts, or contact Okidata Technical Support to find the correct part number. Refer to the Service Center Reference Guide for information on contacting Okidata.

---

**B.2 CHARTS**

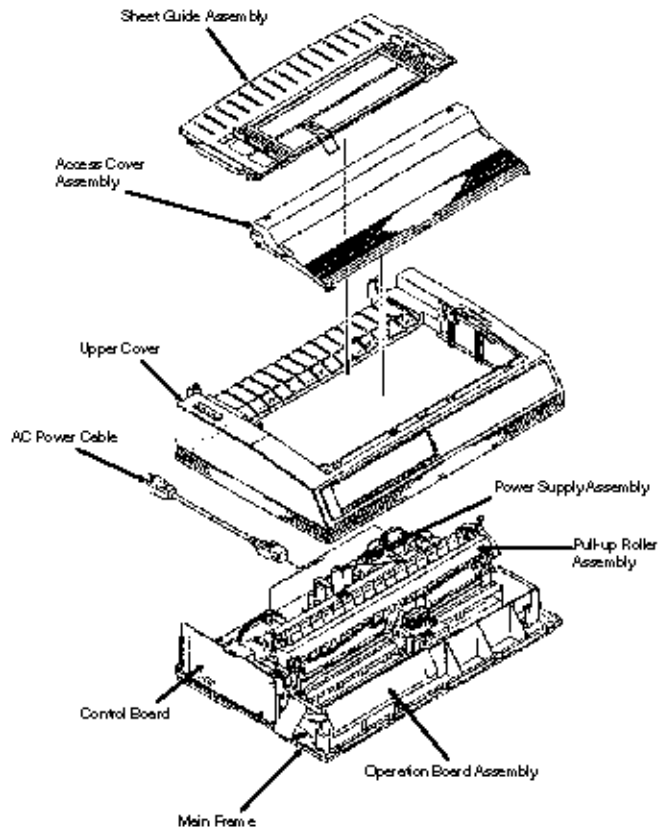
Below is an index to the illustrated parts breakdown charts.

<b>Section</b>	<b>Description</b>
<a href="#"><b>B.2.01</b> </a>	<a href="#"><b>Printer</b></a>
<a href="#"><b>B.2.02</b> </a>	<a href="#"><b>Upper Cover Assembly</b></a>
<a href="#"><b>B.2.03</b> </a>	<a href="#"><b>Printer General Assembly</b></a>
<a href="#"><b>B.2.04</b> </a>	<a href="#"><b>Printer Unit (1 of 3)</b></a>
<a href="#"><b>B.2.05</b> </a>	<a href="#"><b>Printer Unit (2 of 3)</b></a>
<a href="#"><b>B.2.06</b> </a>	<a href="#"><b>Printer Unit (3 of 3)</b></a>
<a href="#"><b>B.2.07</b> </a>	<a href="#"><b>Carriage Assembly</b></a>
<a href="#"><b>B.2.08</b> </a>	<a href="#"><b>Options</b></a>
<a href="#"><b>B.2.09</b> </a>	<a href="#"><b>Option Parts</b></a>
<a href="#"><b>B.2.10</b> </a>	<a href="#"><b>Consumables</b></a>
<a href="#"><b>B.2.11</b> </a>	<a href="#"><b>Packing Materials</b></a>
<a href="#"><b>B.2.12</b> </a>	<a href="#"><b>Documentation</b></a>
<a href="#"><b>B.2.13</b> </a>	<a href="#"><b>Service Training Kit Revision List</b></a>



## Service Guide ML520/521 Chapter B Illustrated Parts Listing

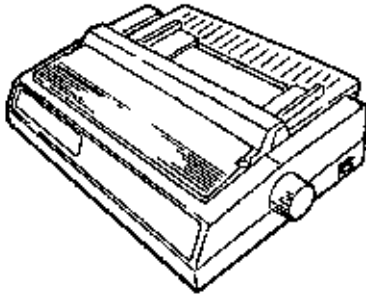
### Overview




Copyright 1997, Okidata, Division of OKI America, Inc. All rights reserved. See the OKIDATA Business Partner Exchange (BPX) for any updates to this material. (<http://bpx.okidata.com>)

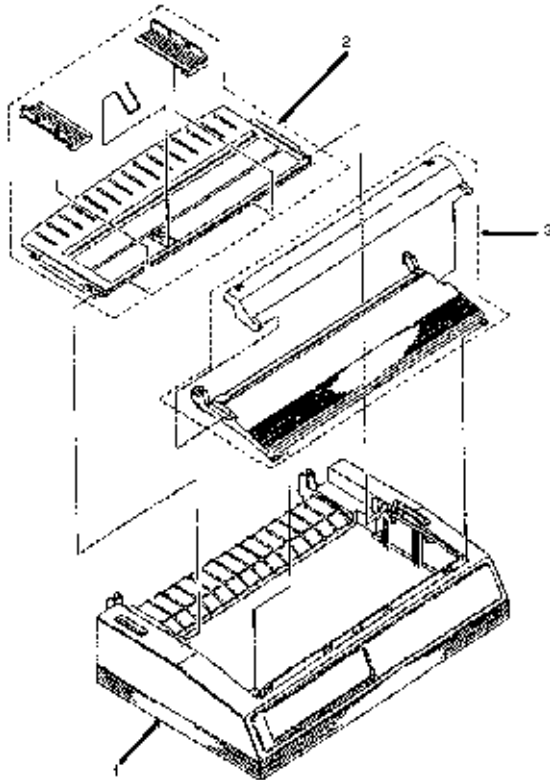
**B.2.01 Printer**

Part numbers are subject to change. Refer to Okilink II for current part numbers and pricing information.




Item	Okidata P/N Oki-J P/N	Description	Comments Refer to B.1.02 	Disassembly Procedure
1	62409001 N/A	Printer: ML520 Parallel (Epson/IBM/ML Comp.) 120 V		N/A
2	62409002 N/A	Printer: ML520 Parallel (Epson/IBM/ML Comp.) 220 V		N/A
3	62410001 N/A	Printer: ML521 Parallel (Epson/IBM/ML Comp.) 120 V		N/A
4	62410002 N/A	Printer: ML521 Parallel (Epson/IBM/ML Comp.) 220 V		N/A

**B.2.02 Upper Cover Assembly**



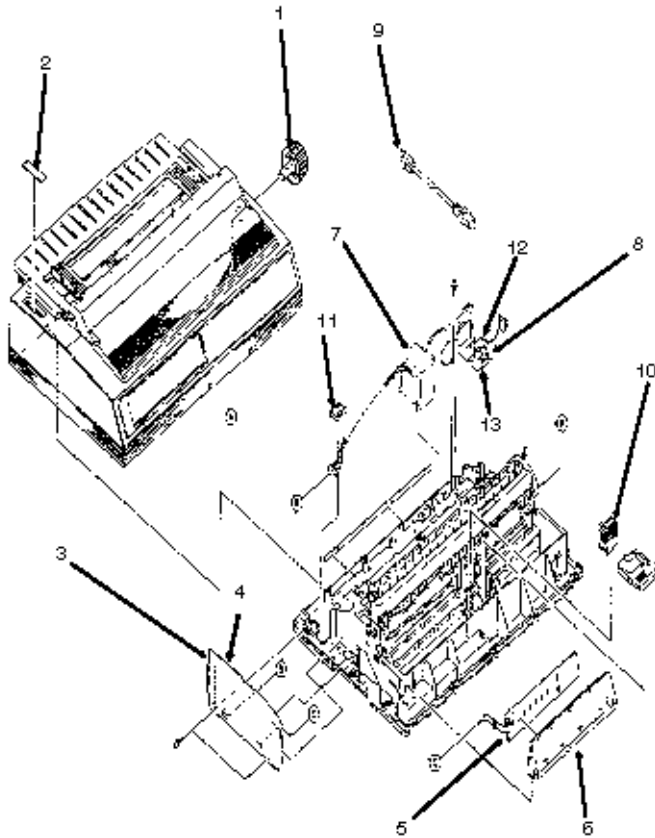
Item	Okidata P/N Oki-J P/N	Description	Comments Refer to <a href="#">B.1.02</a>	Disassembly Procedure
1	53066902 1PP4094-6501P2	Cover: Upper (Narrow)	RSPL 520	<a href="#">3.2.06</a>
1	53067002 1PP4094-7201P2	Cover: Upper (Wide)	RSPL 521	<a href="#">3.2.06</a>
2	51009401 N/A	Guide: Sheet (Narrow)	RSPL 520	<a href="#">3.2.06</a>
2	51009501 N/A	Guide: Sheet (Wide)	RSPL 521	<a href="#">3.2.06</a>
3	53067101 2PA4094-7381G1	Cover: Access (Narrow)	RSPL 520	<a href="#">3.2.06</a>

3	53067201 2PA4094-7382G1	Cover: Access (Wide)	RSPL 521	3.2.06 
---	----------------------------	-------------------------	----------	--

---

Copyright 1997, Okidata, Division of OKI America, Inc. All rights reserved. See the OKIDATA Business Partner Exchange (BPX) for any updates to this material. (<http://bpx.okidata.com>)

**B.2.03 Printer General Assembly**

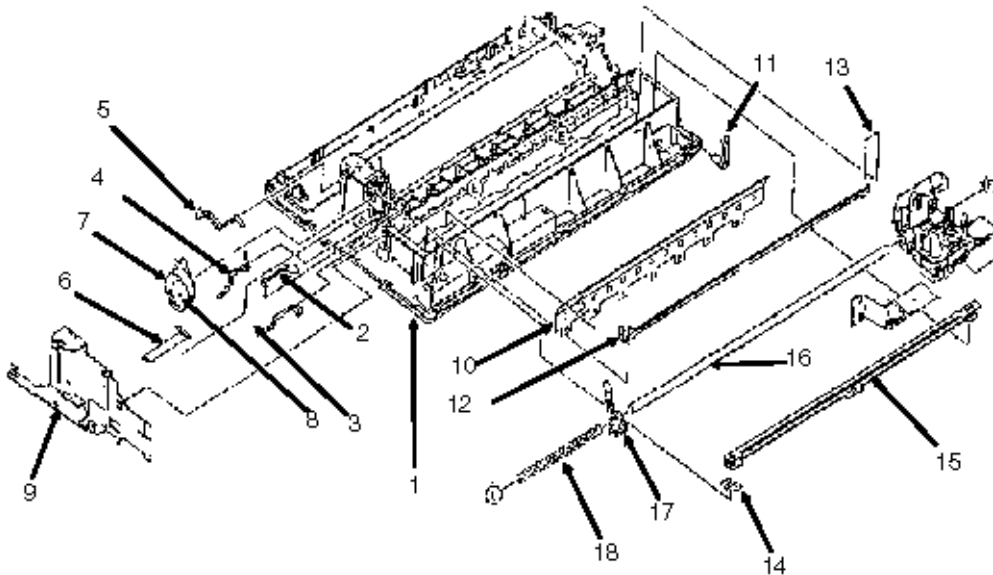


Item	Okidata P/N Oki-J P/N	Description	Comments Refer to <a href="#">B.1.02</a>	Disassembly Procedure
1	53562601 2PP4094-6507P3	Knob: Platen (ML500 Series)	RSPL Both	<a href="#">3.2.06</a>
2	53067301 2PP4094-6506P1	Cover: (B) for Card Slot	RSPL Both	<a href="#">3.2.06</a>
3	55072401 4YA4042-1515G301	PCB: FJIM (w/o ROM)	RSPL Both	<a href="#">3.2.07</a>
4	56301702 540A2036M1202	Fuse: 2A 125V (GG52)	RSPL Both	N/A

5	55937502 4YA4042-1516G2	PCB: LEOP (Operator. Panel)	RSPL Both	<a href="#">3.2.09</a> 
6	53562703 3PP4025-3670G3	Panel: Operator	RSPL Both	<a href="#">3.2.09</a> 
7	56412401 4YB4049-7030P1	Transformer: 120 V ML520	RSPL 520	<a href="#">3.2.08</a> 
7	56412402 4YB4049-7030P2	Transformer: 120 V ML521	RSPL 521	<a href="#">3.2.08</a> 
8	55073201 4YB4021-1143P1	PCB: Filter 120 V	RSPL Both	<a href="#">3.2.08</a> 
9	56609701 3YS4011-1315P1	Cord: AC 120V	RSPL Both	<a href="#">3.2.01</a> 
10	50099501 4YA4023-2801G1	Printhead Assembly	RSPL Both	<a href="#">3.2.02</a> 
11	50707501 4PP4025-3621P1	Clamp: Cord	RSPL Both	<a href="#">3.2.08</a> 
12	56306201 540A2062T2102	Fuse: 1A 250V (Filter Brd 220V)	Option RSPL Both	<a href="#">3.2.08</a> 
13	56306101 540A2067T1252	Fuse: 2.5A 125V (Filter Board)	RSPL Both	<a href="#">3.2.08</a> 

---

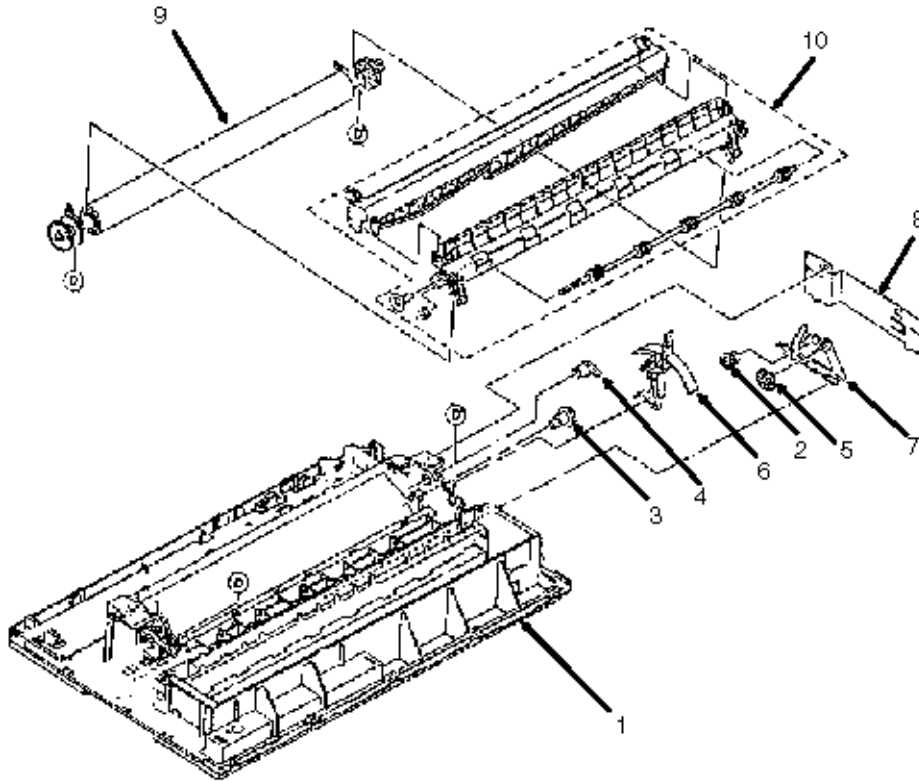
Copyright 1997, Okidata, Division of OKI America, Inc. All rights reserved. See the OKIDATA Business Partner Exchange (BPX) for any updates to this material. (<http://bpx.okidata.com>)

**B.2.04 Printer Unit**


Item	Okidata P/N Oki-J P/N	Description	Comments Refer to <a href="#">B.1.02</a>	Disassembly Procedure
1	53563101 3PA4025-3720G1	Frame: Main (Narrow)	RSPL 520	3.2.30
1	53563201 3PA4025-3721G1	Frame: Main (Wide)	RSPL 521	3.2.30
2	50804601 3PP4025-3315P1	Lever: Bottom Paper End	RSPL Both	3.2.27
3	50804701 3PP4025-3322P1	Lever: Bottom Sensor	RSPL Both	3.2.27
4	50804801 3PP4025-3321P1	Lever: Rear Sensor	RSPL Both	3.2.18
5	50804902 4PP4025-3323P2	Lever: Sensor (Cut Sheet/Continuous)	RSPL Both	3.2.18

6	56627201 3PB4025-3356P1	Cord: Connection Line Feed	RSPL Both	3.2.21
7	56510302 3PB4025-3357P2	Motor: Line Feed Assembly	RSPL Both	3.2.21
8	51228601 3PB4055-2893P1	Gear: Line Feed Idle	RSPL Both	3.2.21
9	51010301 3PA4025-3387G1	Plate: Left Ground	RSPL Both	3.2.16
10	50923001 3PP4025-3320P1	Spring: Leaf (Narrow)	RSPL 520	3.2.26
10	50923101 3PP4025-3507P1	Spring: Leaf (Wide)	RSPL 521	3.2.26
11	53067701 3PP4025-3380P1	Cam: Adjust	RSPL Both	3.2.15
12	53563301 3PP4025-3376P1	Rack: Space (Narrow)	RSPL 520	3.2.13
12	53563401 3PP4025-3522P1	Rack: Space (Wide)	RSPL 521	3.2.13
13	50923501 4PB4025-3377P1	Spring: Tension (Space Rack)	RSPL Both	3.2.13
14	51009701 4PP4025-3378P1	Guide: Rail Ground Clip	RSPL Both	3.2.15
15	51009801 3PP4025-3379P1	Guide: Rail (Narrow)	RSPL 520	3.2.15
15	51009901 3PP4025-3523P1	Guide: Rail (Wide)	RSPL 521	3.2.15
16	53563501 4PP4025-3381P1	Shaft: Carriage (Narrow)	RSPL 520	3.2.25
16	53563502 4PP4025-3381P2	Shaft: Carriage (Wide)	RSPL 521	3.2.25
17	53067601 4PA4025-3382G1	Protector: Support (Assembly)	RSPL Both	3.2.25
18	50923601 4PB4025-3385P1	Spring: Support Protect Reset	RSPL Both	3.2.25

**B.2.05 Printer Unit**



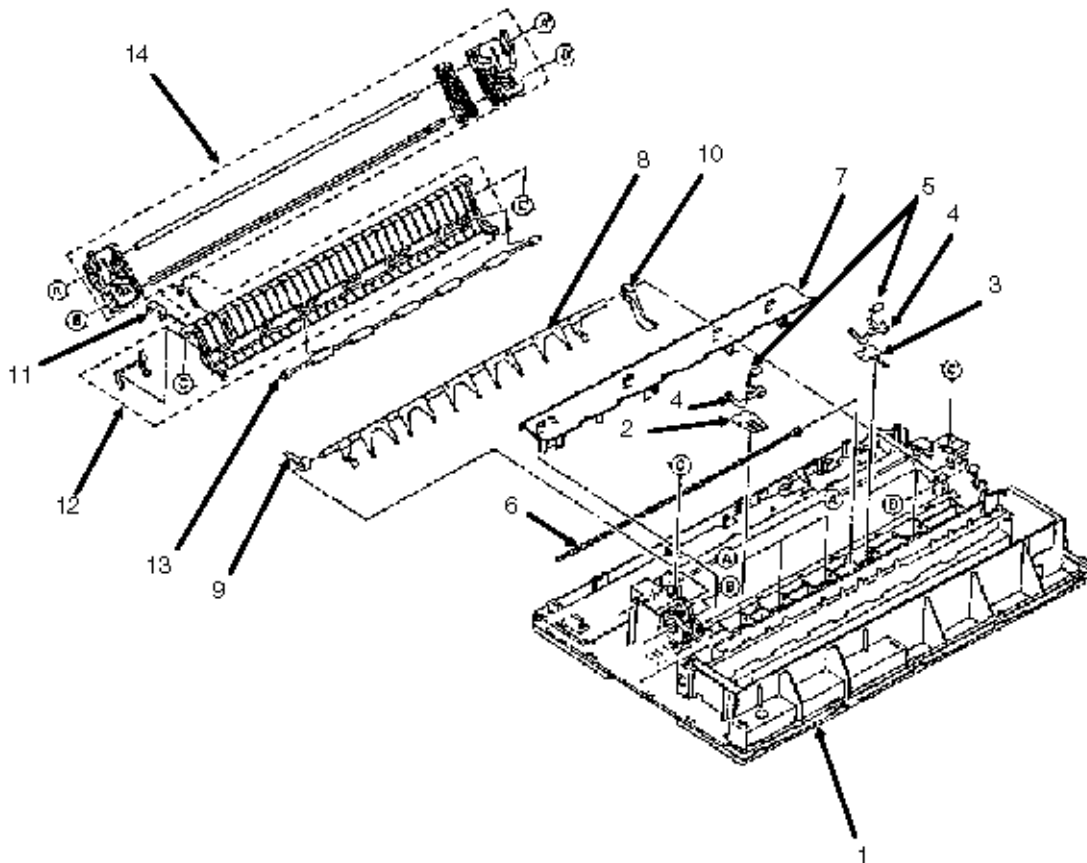
Item	Okidata P/N Oki-J P/N	Description	Comments Refer to <a href="#">B.1.02</a>	Disassembly Procedure
1	53563101 3PA4025-3720G1	Frame: Main (Narrow)	RSPL 520	<a href="#">3.2.30</a>
1	53563201 3PA4025-3721G1	Frame: Main (Wide)	RSPL 521	<a href="#">3.2.30</a>
2	51228001 4PP4025-3340P1	Gear: Change	RSPL Both	<a href="#">3.2.29</a>
3	51228101 3PP4025-3341P1	Gear: Tractor	RSPL Both	<a href="#">3.2.29</a>
4	50805301 3PP4025-3352P1	Cam: Release	RSPL Both	<a href="#">3.2.24</a>

5	51228201 4PP4025-3353P1	Gear: Idle	RSPL Both	<a href="#">3.2.23</a> 
6	50805101 2PP4025-3354P1	Lever: Change	RSPL Both	<a href="#">3.2.23</a> 
7	50923201 3PP4025-3355P1	Spring: Reset	RSPL Both	<a href="#">3.2.22</a> 
8	51010201 3PP4025-3386P1	Plate: Right Ground	RSPL Both	<a href="#">3.2.17</a> 
9	50098301 3PA4025-3370G1	Platen Assembly (Narrow)	RSPL 520	<a href="#">3.2.19</a> 
9	50098302 N/A	Platen Assembly (Wide)	RSPL 521	<a href="#">3.2.19</a> 
10	53341501 3PA4025-3440G2	Roller: Pull Up Assembly (N)	RSPL 520	<a href="#">3.2.05</a> 
10	53341601 3PA4025-3530G2	Roller: Pull Up Assembly (W)	RSPL 521	<a href="#">3.2.05</a> 








---

Copyright 1997, Okidata, Division of OKI America, Inc. All rights reserved. See the OKIDATA Business Partner Exchange (BPX) for any updates to this material. (<http://bpx.okidata.com>)

**B.2.06 Printer Unit**



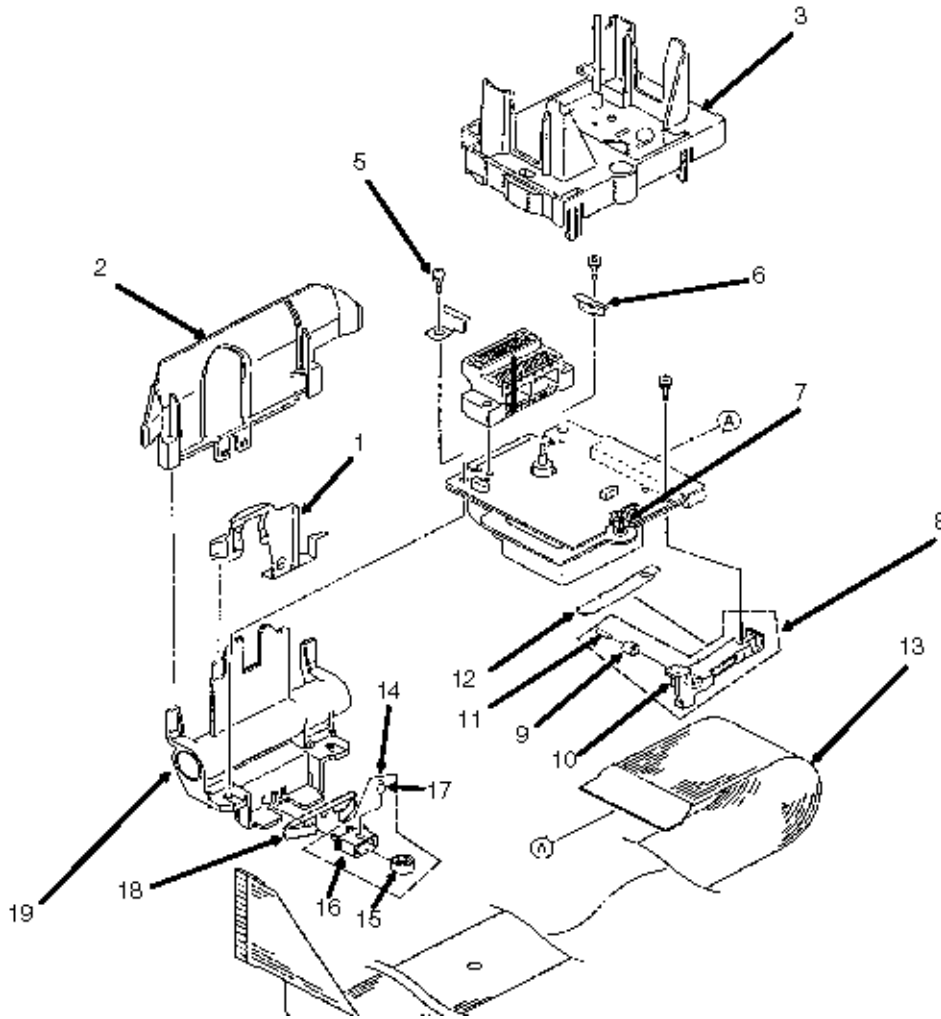
Item	Okidata P/N Oki-J P/N	Description	Comments Refer to <a href="#">B.1.02</a>	Disassembly Procedure
1	53563101 3PA4025-3720G1	Frame: Main (Narrow)	RSPL 520	<a href="#">3.2.30</a>
1	53563201 3PA4025-3721G1	Frame: Main (Wide)	RSPL 521	<a href="#">3.2.30</a>
2	50922901 4PP4025-3316P1	Spring: Front Pressure (Narrow)	RSPL 520	<a href="#">3.2.28</a>
3	50922801 4PP4025-3324P1	Spring: Front Pressure (Wide)	RSPL 521	<a href="#">3.2.28</a>

4	53341101 4PP4025-3317P1	Holder: Front Roller	RSPL Both	<a href="#">3.2.28</a> 
5	53341202 4PP4025-3327G1	Roller: Front Pressure	RSPL Both	<a href="#">3.2.28</a> 
6	51227801 3PP4025-3318P1	Shaft: Front Release Gear (Narrow)	RSPL 520	<a href="#">3.2.27</a> 
6	51227901 3PP4025-3505P1	Shaft: Front Release Gear (Wide)	RSPL 521	<a href="#">3.2.27</a> 
7	50097301 N/A	Pan: Paper (Narrow)	RSPL 520	<a href="#">3.2.27</a> 
7	50097401 1PP4025-3506P2	Pan: Paper (Wide)	RSPL 521	<a href="#">3.2.27</a> 
8	50923301 3PP4025-3346G1	Spring: Pressure (Narrow)	RSPL 520	<a href="#">3.2.24</a> 
8	50923401 3PP4025-3511G1	Spring: Pressure (Wide)	RSPL 521	<a href="#">3.2.24</a> 
9	50805201 4PP4025-3351P1	Lever: Switch (Cut Sheet/Continuous )	RSPL Both	<a href="#">3.2.24</a> 
10	51228301 4PP4025-3350P1	Arm: Front Release Gear	RSPL Both	<a href="#">3.2.24</a> 
11	50924701 4PP4025-3386P1	Spring: Lock	RSPL Both	<a href="#">3.2.20</a> 
12	50097701 3PA4025-3360G2	Paper Chute Assembly (Narrow)	RSPL 520	<a href="#">3.2.20</a> 
12	50097801 3PA4025-3515G2	Paper Chute Assembly (Wide)	RSPL 521	<a href="#">3.2.20</a> 
13	53341301 3PB4025-3364P1	Roller: Pressure Rear (Narrow)	RSPL 520	<a href="#">3.2.20</a> 
13	53341401 3PB4025-3517P1	Roller: Pressure Rear (Wide)	RSPL 521	<a href="#">3.2.20</a> 
14	50097501 3PA4025-3330G1	Tractor: Assembly (Narrow)	RSPL 520	<a href="#">3.2.29</a> 
14	50097502 3PA4025-3330G2	Tractor: Assembly (Wide)	RSPL 521	<a href="#">3.2.29</a> 


















---

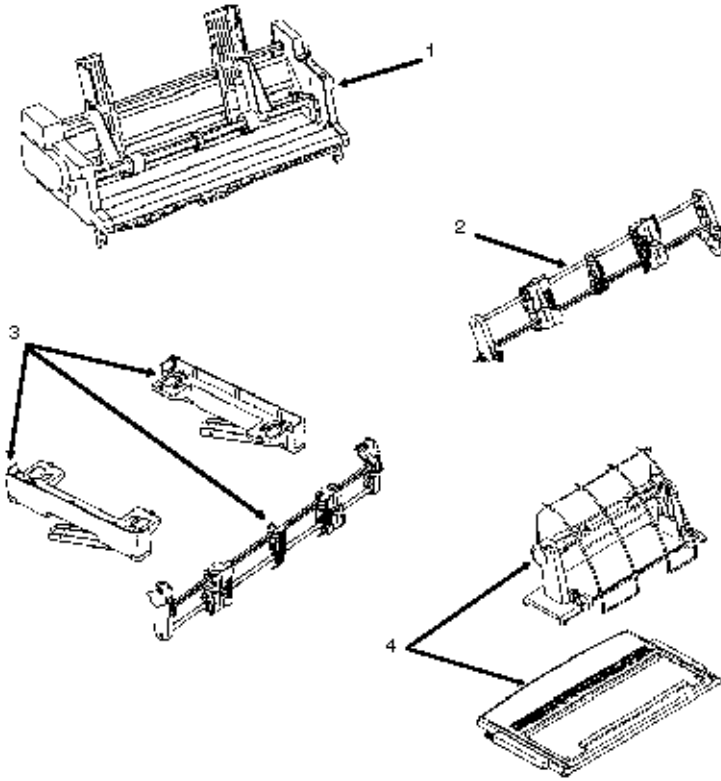
Copyright 1997, Okidata, Division of OKI America, Inc. All rights reserved. See the OKIDATA Business Partner Exchange (BPX) for any updates to this material. (<http://bpx.okidata.com>)

**B.2.07 Carriage Assembly**



Item	Okidata P/N Oki-J P/N	Description	Comments Refer to <a href="#">B.1.02</a>	Disassembly Procedure
1	50707401 3PP4025-3431P1	Clamp: Head	RSPL Both	<a href="#">3.2.02</a>
2	53562801 3PP4025-3430P1	Protector: Ribbon	RSPL Both	<a href="#">3.2.03</a>
3	51228501 3PA4025-3406G1	Gear: Case (Assembly)	RSPL Both	<a href="#">3.2.04</a>

4	56729601 224A1285P0400	Connector: PC HD40	RSPL Both	<a href="#">3.2.10</a> 
5	53343001 4PP4025-3433P1	Holder: Connector (L)	RSPL Both	<a href="#">3.2.11</a> 
6	53343101 4PP4025-3434P1	Holder Connector (R)	RSPL Both	<a href="#">3.2.11</a> 
7	56510401 4YA4025-3250G1	Motor: Space (Assembly)	RSPL Both	<a href="#">3.2.11</a> 
8	53343301 4PA4025-3719G1	Guide: Roller Assembly	Both Inc. 9 10 11	<a href="#">3.2.11</a> 
9	53341901 4PP4025-3398P1	Roller: Guide	Both	<a href="#">3.2.11</a> 
10	53342001 3PP4025-3399P1	Holder: Guide Roller	Both	<a href="#">3.2.11</a> 
11	N/A N/A	Pin	Both	<a href="#">3.2.11</a> 
12	N/A 4PP4025-3401P1	Guide Roller Spring	Both	<a href="#">3.2.11</a> 
13	56627301 2PU4007-1193P1	Cable: Carriage (Narrow)	RSPL 520	<a href="#">3.2.12</a> 
13	56627302 N/A	Cable: Carriage (Wide)	RSPL 521	<a href="#">3.2.12</a> 
14	53343201 4PA4025-3718G1	Assembly: Roller/Holder Backup	Both Inc. 15 16 17	<a href="#">3.2.14</a> 
15	53341701 4PP4025-3392P1	Roller: Back Up	Both	<a href="#">3.2.14</a> 
16	53341801 3PP4025-3393P1	Holder: Back Up Roller	Both	<a href="#">3.2.14</a> 
17	N/A N/A	Pin	Both	<a href="#">3.2.14</a> 
18	50925001 3PP4025-3397P1	Holder: Backup Roller Spring	Both	<a href="#">3.2.14</a> 
19	50098901 4PP4025-3394G1	Carriage: Frame Set	RSPL Both	<a href="#">3.2.25</a> 

**B.2.08 Options**


Item	Okidata P/N Oki-J P/N	Description	Comments Refer to <a href="#">B.1.02</a>	Disassembly Procedure
1	70022501 N/A	Kit: Single Bin CSF 5000 Narrow	Option 520	N/A
1	70022701 N/A	Kit: Single Bin CSF 5001 Wide	Option 521	N/A
2	70023001 N/A	Kit: Pull Tractor Narrow	Option 520	N/A
2	70023201 N/A	Kit: Pull Tractor Wide	Option 521	N/A
3	70022901 N/A	Kit: Push Tractor (Bottom) Narrow	Option 520	N/A

3	70023101 N/A	Kit: Push Tractor (Bottom) Wide	Option 521	N/A
4	70023301 N/A	Kit: Roll Paper Stand	Option 520	N/A
5	70000803 N/A	Kit: Parallel Interface Plug'n'Play Accessory	Option Both	N/A
6	70012801 N/A	Kit: RS232-C Serial Interface	Option Both	N/A
7	56412501 4YB4049-7031P1	Transformer 230-240V (ML520)	Option RSPL 520	N/A
7	56412502 4YB4049-7031P2	Transformer 230-240V (ML521)	Option RSPL 521	N/A
8	56624101 3YS4011-1265P1	Cord: AC (220V) ML Series Right Angle	Option RSPL Both	N/A
8	56624401 3YS4011-1268P1	Cord: AC 240V	Option RSPL Both	N/A
9	55038901 4YA4021-1050G1	PCB: LXHI (RS232-C)	Option RSPL Both	N/A
10	56306001 4YB4021-1146P1	Fuse: 3.15A for 230/240V Power Supply	Option RSPL Both	N/A
11	55073301 4YB4021-1144P1	PCB: Filter 230 V	Option RSPL Both	N/A
11	55073302 4YB4021-1144P2	PCB: Filter 240 V	Option RSPL Both	N/A
12	56306201 540A2062T2102	Fuse: 1A 250V (Filter Brd 220V)	Option RSPL Both	N/A

---

Copyright 1997, Okidata, Division of OKI America, Inc. All rights reserved. See the OKIDATA Business Partner Exchange (BPX) for any updates to this material. (<http://bpx.okidata.com>)



## Service Guide ML520/521

### Chapter B Illustrated Parts Listing

#### B.2.09 Option Parts

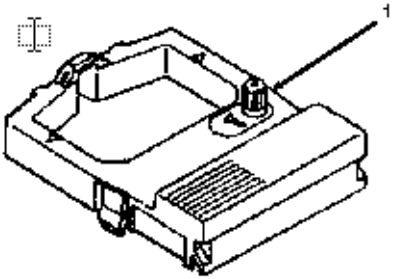
Item	Okidata P/N Oki-J P/N	Description	<a href="#">Comments Refer to B.1.02</a> 	Disassembly Procedure
1	50097901 N/A	Tractor: Pull and Bottom Assembly (Right)	Option RSPL Both	N/A
2	50098001 4PA4025-3608G1	Tractor: Pull and Bottom Assembly (Left)	Option RSPL Both	N/A
3	50098101 2PP4094-7383G1	Tractor: Cover Assembly (N) Pull Tractor	Option RSPL 520	N/A
3	50098201 2PP4094-7384G1	Tractor: Cover Assembly (W) Pull Tractor	Option RSPL 521	N/A
4	50098501 2PA4094-6510G1	Stand: Bottom Push (Right)	Option RSPL Both	N/A
5	50098502 2PA4094-6510G4	Stand: Bottom Push (Left)	Option RSPL Both	N/A
6	50098701 4PP4094-7385G1	Knife: Paper (N) Bottom Push Tractor	Option RSPL 520	N/A
6	50098801 4PP4094-7386G1	Knife: Paper (W) Bottom Push Tractor	Option RSPL 521	N/A
7	51010001 1PP4053-2570P1	Guide: Front Sheet (N) Cut-Sheet Feeder	Option RSPL 520	N/A
7	51010101 1PP4053-2571P2	Guide: Front Sheet (W) Cut-Sheet Feeder	Option RSPL 521	N/A
8	53067401 1PP4053-2574P1	Cover: Side (Left) Cut-Sheet Feeder	Option RSPL Both	N/A

8	53067501 1PP4053-2575P1	Cover: Side (Right) Cut-Sheet Feeder	Option RSPL Both	N/A
9	53480901 1PP4043-1891P4	Supporter: Front Sheet (W) Cut-Sheet Feeder	Option RSPL 521	N/A
9	53562901 1PP4053-2576P1	Supporter: Front Sheet (N) Cut-Sheet Feeder	Option RSPL 520	N/A
10	53563001 4PP4053-2547G1	Shoe: Brake Cut-Sheet Feeder	Option RSPL Both	N/A
11	55937301 4YA4053-3025G1	PCB: NCSF Cut-Sheet Feeder	Option RSPL Both	N/A
12	56510501 3PB4050-2560P1	Motor: Pulse Cut-Sheet Feeder	Option RSPL Both	N/A
13	56627501 3YS4011-5120G1	Cable: CSF Cut-Sheet Feeder	Option RSPL Both	N/A
14	50062801 4PB4053-1705G1	Roller: Hopping (L.H.) CSF	Option Both	N/A
15	50062802 4PB4053-1705G2	Roller: Hopping (R.H.) CSF	Option Both	N/A
16	53321501 3PB4025-1941P1	Support: Rear Sheet CSF	Option Both	N/A
17	53448501 4PB4025-1914P1	Sheet: Friction CSF	Option Both	N/A

---

Copyright 1997, Okidata, Division of OKI America, Inc. All rights reserved. See the OKIDATA Business Partner Exchange (BPX) for any updates to this material. (<http://bpx.okidata.com>)

---


**B.2.10 Consumables****52107001 N/A Ribbon: Black Consumable Both 3.2.02** 

---

Copyright 1997, Okidata, Division of OKI America, Inc. All rights reserved. See the OKIDATA Business Partner Exchange (BPX) for any updates to this material. (<http://bpx.okidata.com>)

---

**B.2.11 Packing Materials**

Item	Okidata P/N Oki-J P/N	Description	<u>Comments Refer to B.1.02</u> 	Disassembly Procedure
1	53565101 N/A	Box: Graphic (ML520)	RSPL 520	N/A
1	53565201 N/A	Box: Graphic (ML521)	RSPL 521	N/A
2	53565401 N/A	Foam: Molded (Left)	RSPL Both	N/A
3	53565402 N/A	Foam: Molded (Right)	RSPL Both	N/A

---

Copyright 1997, Okidata, Division of OKI America, Inc. All rights reserved. See the OKIDATA Business Partner Exchange (BPX) for any updates to this material. (<http://bpx.okidata.com>)



## Service Guide ML520/521

### Chapter B Illustrated Parts Listing

#### B.2.12 Documentation

Item	Okidata P/N Oki-J P/N	Description	<a href="#">Comments Refer to B.1.02</a>	Disassembly Procedure
1#	58229401 N/A	Kit: ML520/521 Service Training	Document Both	N/A
1#	58229402 N/A	Kit: ML520/521 Service Training	Document Both	N/A
1#	58229403 N/A	Kit: ML520/521 Service Training	Document Both	N/A
2 A	58232501 N/A	Package: User's Documentation	Document Inc. 3 4 5 6 7	N/A
3 A	52033001 N/A	Card: QA Reply	Document Part of 2 A	N/A
4 A	53436029 N/A	Bag: Poly 9" x 12"	Document Part of 2 A	N/A
5 A	52050809 N/A	Card: Request	Document Part of 2 A	N/A
6 A	58059501 N/A	Card: Registration	Document Part of 2 A	N/A
7 A	59256801 N/A	Handbook: Printer	Document Part of 2 A	N/A
2 B	58232502 N/A	Package: User's Documentation	Document Inc. 3 4 5 6 7 8	N/A
3 B	52033001 N/A	Card: QA Reply	Document Part of 2 B	N/A
4 B	53436029 N/A	Bag: Poly 9" x 12"	Document Part of 2 B	N/A
5 B	52050809 N/A	Card: Request	Document Part of 2 B	N/A
6 B	58059501 N/A	Card: Registration	Document Part of 2 B	N/A
7 B	58306101 N/A	Sheet: Printer Handbook Errata	Document Part of 2 B	N/A

8 B	59256802 N/A	Handbook: Printer	Document Part of 2 B	N/A
9	59258401 N/A	Manual: Maintenance	Document Both	N/A
10	59261000 N/A	Manual: Troubleshooting	Document Both	N/A
11	59254001 N/A	Product Specifications	Document Both	N/A

\* To order Marketing Literature, complete an Okidata Marketing Literature Order Form. Fax the completed form to Okidata Marketing Communications.

\* \* Obtain this form by faxing a request to Okidata Marketing Communications. Refer to the Service Center Reference Guide for information on contacting Okidata.

---

Copyright 1997, Okidata, Division of OKI America, Inc. All rights reserved. See the OKIDATA Business Partner Exchange (BPX) for any updates to this material. (<http://bpx.okidata.com>)



## Service Guide ML520/521

### Chapter B Illustrated Parts Listing

#### B.2.13 Service Training Kit Revision List

P/N 58229401 Microline 520/521 Service Training Kit

This kit was replaced by P/N 58229402.

Items in the training kit (except for the Printer Handbook) are NOT available separately.

Item	Okidata P/N Oki-J P/N	Description	<a href="#">Comments Refer to B.1.02</a> 	Disassembly Procedure
1 A	58229401 N/A	Kit: ML520/521 Service Training	Document Both	N/A
2 A	52063201 N/A	Label: Box	Document	N/A
3 A	58229501 N/A	Administration Package	Document	N/A
4 A	58090301 N/A	Envelope: Administration Package	Document	N/A
5 A	58090401 N/A	Cover Letter	Document	N/A
6 A	59257701 N/A	Training Guide	Document	N/A
7 A	58090501 N/A	Printhead Gap Adjustment Material	Document	N/A
8 A	58090601 N/A	Certification Test	Document	N/A
9 A	58090701 N/A	Certification Test Answer Sheet	Document	N/A
10 A	58090801 N/A	Course Critique	Document	N/A
11 A	58090901 N/A	Envelope: Pre-Printed Return	Document	N/A
12 A	59257801 N/A	Service Handbook	Document	N/A
13 A	59257901 N/A	User's Documentation	Document Incl 14 A	N/A
14 A	59256801 N/A	Handbook: Printer	Document Both	N/A
15 A	57519801 N/A	Service Videotape	Document	N/A

16 A	52063202 N/A	Label: Service Videotape Case	Document	N/A
17 A	52063203 N/A	Label: Service Videotape Front	Document	N/A
18 A	52063204 N/A	Label: Service Videotape Spine	Document	N/A
19 A	57517101 N/A	Red Vinyl Case (VHS Videotape)	Document	N/A
20 A	53533001 N/A	Storage Box	Document	N/A

P/N 58229402 Microline 520/521 Service Training Kit

This kit was replaced by P/N 58229403.


Items in the training kit (except for the Printer Handbook) are NOT available separately.

Item	Okidata P/N Oki-J P/N	Description	<a href="#">Comments Refer to B.1.02</a> 📄	Disassembly Procedure
1 B	58229402 N/A	Kit: ML520/521 Service Training	Document Both	N/A
2 B	52063205 N/A	Label: Box	Document Both	N/A
3 B	58090402 N/A	Read Me First	Document Both	N/A
4 B	59257802 N/A	Service Handbook	Document Both	N/A
5 B	59257901 N/A	User's Documentation	Document Incl 6 B	N/A
6 B	59256801 N/A	Printer Handbook	Document Both	N/A
7 B	57519801 N/A	Service Videotape	Document Both	N/A
8 B	52063204 N/A	Label: Service Videotape Spine	Document Both	N/A
9 B	53570401 N/A	Sleeve: Videotape (Cardboard)	Document Both	N/A

P/N 58229403 Microline 520/521 Service Training Kit

This kit was replaced by P/N 58229402.

Items in the training kit (except for the Printer Handbook) are NOT available separately.

Item	Okidata P/N Oki-J P/N	Description	<u>Comments Refer to B.1.02</u> 	Disassembly Procedure
1 C	58229403 N/A	Kit: ML520/521 Service Training	Document Both	N/A
2 C	52063206 N/A	Label: Box	Document Both	N/A
3 C	58090403 N/A	Read Me First	Document Both	N/A
4 C	59257803 N/A	Service Handbook	Document Both	N/A
5 C	59256802 N/A	Printer Handbook	Document Both	N/A
6 C	58306101 N/A	Sheet: Printer Handbook Errata	Document Both	N/A
7 C	57519802 N/A	Service Videotape	Document Both	N/A
8 C	52063204 Rev B N/A	Label: Service Videotape Spine	Document Both	N/A
9 C	53570401 N/A	Sleeve: Videotape (Cardboard)	Document Both	N/A

---

Copyright 1997, Okidata, Division of OKI America, Inc. All rights reserved. See the OKIDATA Business Partner Exchange (BPX) for any updates to this material. (<http://bpx.okidata.com>)