

This document was provided by

Compu*Direct*, Inc.

As a service to our customers.

If you received this file from anywhere other than

<http://www.printermalls.com>

please let us know at

info@printermalls.com

Diagram A1: Covers (Top & Sides)

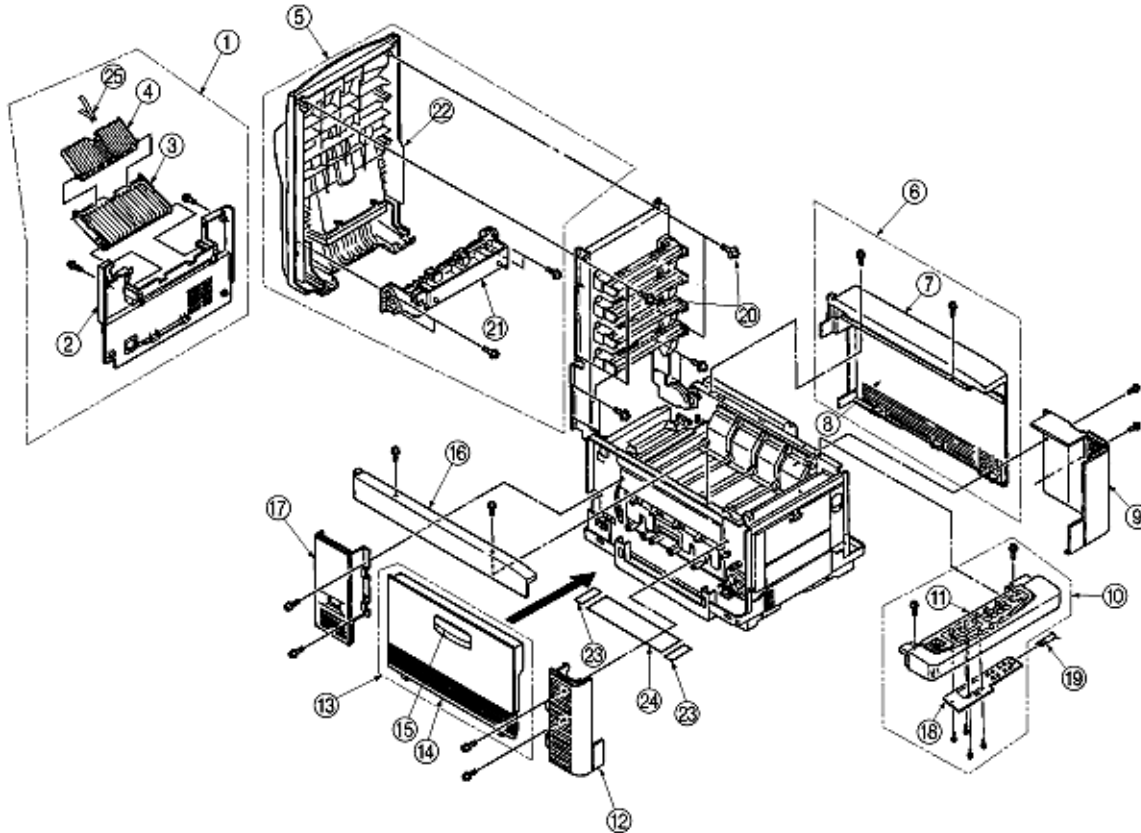


Diagram Number	OKI Part Number	Univerisal Part Number	Part Description
----------------	-----------------	------------------------	------------------

1	51025202		Plate: Ground (Contact)
2	40098401		Cover Rear
3	40187501		Stacker Faceup
4	40187601		Support Stacker
5	40314801		Cover Assy. Stacker
6	40315001		Cover Assy. Side (R)
7	0		Cover Side (R)
8	0		Frame Side Right
9	40098301		Cover Front (R)
10	40314901		Cover Assy. OP Panel
10	40314902		Cover Assy. OP Panel (OEL/INT 230V)
11	40492601		Cover Sub Assy. OP Panel
12	40098201		Cover Front (L)
13	40315101		Cover Assy. Side (L)
14	0		Cover Side (L)
15	0		Cover Knob
16	40195601		Frame Side (L)
17	40195701		Cover Rear (L)
18	40387201		PCB:PCO
19	56636205		CABLE: OP
20	50318701		Screw
21	40303601		Guide Eject FD Assy.
22	40449901		Cover Sub Assy. Stacker
23	40728601		Film Waste Toner
24	40728701		Foam Seal (Cover)
25	40664701		Spring : Support

Copyright 1998, Okidata, Division of OKI America, Inc. All rights reserved. See the OKIDATA Business Partner Exchange (BPX) for any updates to this material. (<http://bpx.okidata.com>)

Diagram A2: Printer Unit

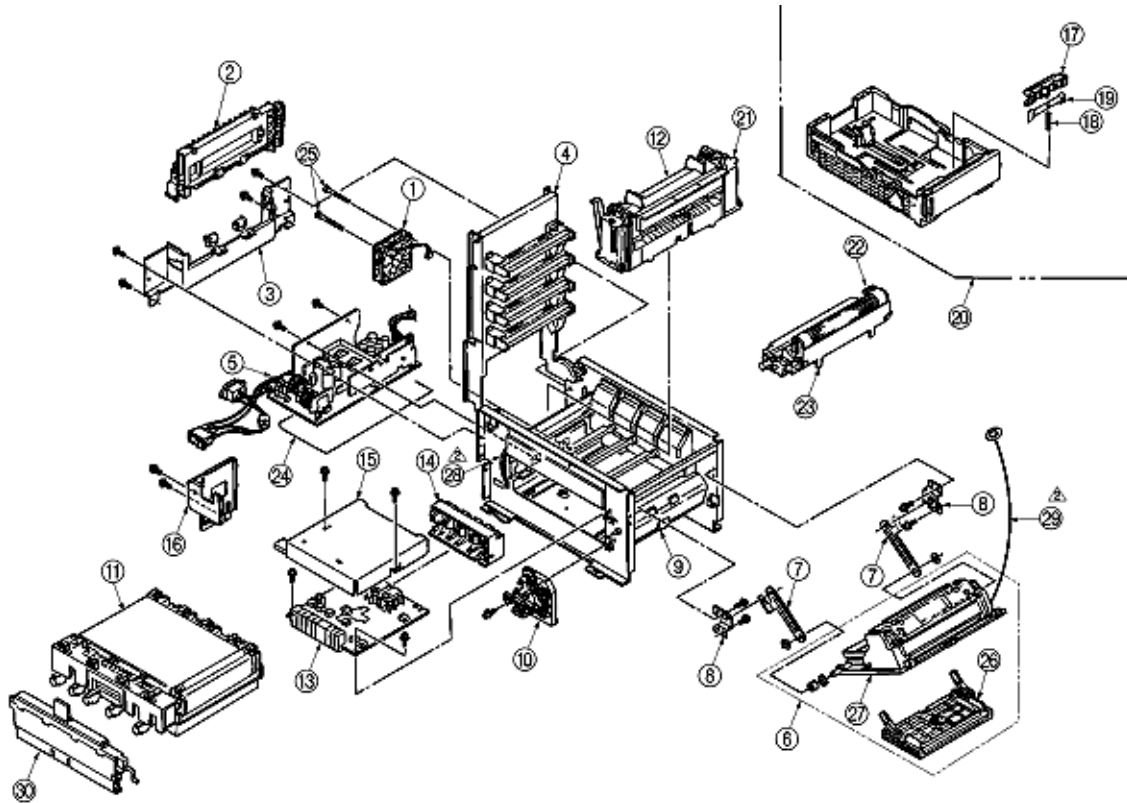


Diagram Number	OKI Part Number	Univerisal Part Number	Part Description
----------------	-----------------	------------------------	------------------

1	40255201	Motor Fan (80-25)
2	40303501	Frame Eject Assy.
3	40303401	Guide Paper Eject Assy.
4	40410701	Frame Upper Assy.
5	40019001	Power Unit ACDC Switching (230v)
5	40018901	Power Unit ACDC Switching (120v)
6	40311201	FDR Unit Front
7	40193501	Plate FFLink
8	40193601	Bracket FF Link
9	40303301	Guide Paper Input Assy.
10	40309801	Holder Gear Toner Assy.
11	40490801	Belt Unit
12	40645301	Oil Roller Unit
13	40065601	High Voltage Power Supply Unit
14	40325001	Bracket HV (BT) Assy.
15	40168001	Plate HV
16	40193201	Holder Innret
17	40607001	Separator Frame assy.
18	40744501	Separation Spring
19	40795501	Spring: Damper assy.
20	40744401	Paper Cassette Assy
21	40490904	Fuser Unit (230V)
21	40490901	Fuser Unit
22	40370603	Magenta Toner Cartridge Kit "Type C1"
22	40370602	Yellow Toner Cartridge Kit "Type C1"
22	40370604	Cyan Toner Cartridge Kit "Type C1"
22	40370601	Black Toner Cartridge Kit "Type C1"
23	40370201	Black Image Drum Kit "Type C1"
23	40370302	Magenta Image Drum Kit "Type C1"
23	40370301	Yellow Image Drum Kit "Type C1"
23	40370303	Cyan Image Drum Kit "Type C1"
24	40191201	Sheet Insuration
25	54122930	Screw / PSW2W3-30C
26	55700401	Hand hopper Assy.
27	40449001	FDR Unit Main Assy.
28	40294201	CONN Cord Wire
29	40641801	CONN Cord Wire
30	40645401	Waste Toner Box

Copyright 1998, Okidata, Division of OKI America, Inc. All rights reserved. See the OKIDATA Business Partner Exchange (BPX) for any updates to this material. (<http://bpx.okidata.com>)

Diagram A3: Main Chassis Unit (1)

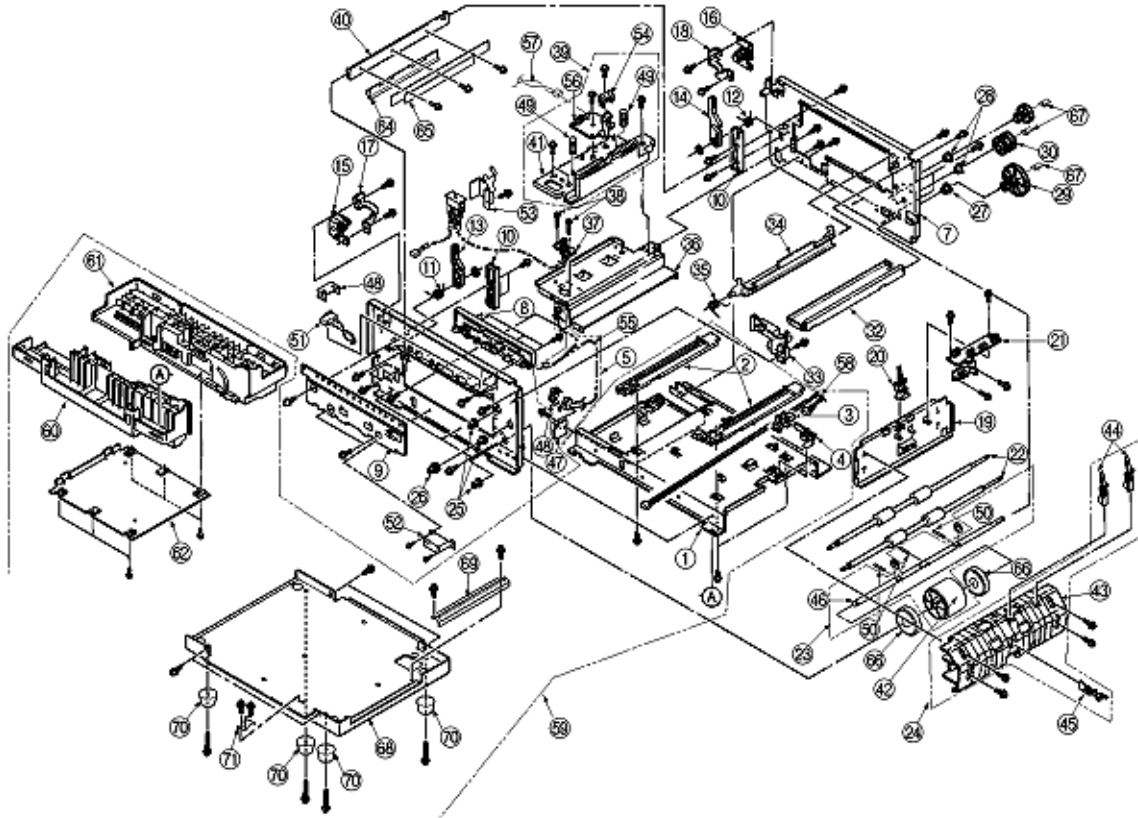


Diagram Number	OKI Part Number	Univerisal Part Number	Part Description
----------------	-----------------	------------------------	------------------

1	40175701	Plate Base
2	40096401	Guide Belt (F)
3	40135301	Photo Interrupter
4	50808201	Lever Paper End
5	40450401	Sensor Assy. Box Toner
6	40171401	Frame Side (L)
7	40171301	Frame Side (R)
8	40308801	Contact SB Assy.
9	40290201	Plate Blind
10	40163401	Guide Side Heat unit
11	40163701	Spring Lock (L)
12	40163702	Spring Lock Heat
13	40163501	Lever Lock Heat unit (L)
14	40163601	Lever Lock Heat unit (R)
15	40383701	Limiter-2Way (L)
16	40383801	Limiter-2Way (R)
17	40335001	Plate Guard (L)
18	40335101	Plate Guard (R)
19	40171201	Stay Lower (Front)
20	40144501	Lever Regist Sensor
21	40437601	PCB:PXM
22	40130801	Roller Registration
23	40310601	Roller Assy. Hopping
24	40303301	Guide Paper Input Assy.
25	40261301	Bearing Hopping
26	40130301	Gear(Z20)
27	51608901	Bearing
28	51607301	Bushing ADF
29	40250901	Gear Oneway (96)
30	40164501	Gear Oneway (Z48/48)
31	40164301	GearOneway (Z48)
32	40171101	Stay Upper (Front)
33	40388501	Bracket SW
34	40195101	Plate Latch lever (FD)
35	40195001	Spring Latch lever (FD)
36	40175201	Stay Heat
37	40563101	Conection cord wire
38	50318601	Screw / PB4043-4718P001
39	40162101	Guide Assy. Heat Unit
40	40175101	Stay EP
41	40449401	Guide Assy. Heat
42	40449701	Hopping Roller Boss Assy.
43	40097301	Guide Paper Input A
44	40144301	Lever Input Sensor
45	40144401	Lever 2nd Feed Sensor
46	40189601	Shaft Hopping roller (1st)
47	40450201	Bracket Switch
48	40408601	Holder Switch
49	40264401	Spring Eject Heat
50	50608118	Knock Pin
51	40447201	CONN Cord Wire
52	40388401	Bracket Switch (Side)
53	40446501	InterLock SW Cable Assy.
54	40162201	Cover Sensor
55	40172401	AMP6P-AMP4P
56	40437501	PCB:PXL
57	40171801	AMP7P-AMP7P
58	40447301	Cordwire JST6P-AMP3PX2
59	40303201	Plate Base Assy.
60	40303101	Guide Cassette (L) Assy.
61	40302901	Guide Cassette (R) Assy.
62	40164801	Plate Bottom
63	40448501	Conection cord wire
64	40551301	Plate Shield Heat
65	40714401	Heat-Sink (801)
66	40743701	Roller Assy. Hopping
67	40686701	Spacer Register Gear
68	40661001	Cover Bottom (Weld)
69	40661501	Plate Guide
70	40671001	Rubber Foot

Copyright 1998, Okidata, Division of OKI America, Inc. All rights reserved. See the OKIDATA Business Partner Exchange (BPX) for any updates to this material. (<http://bpx.okidata.com>)

Diagram A4: Main Chassis Unit (2)

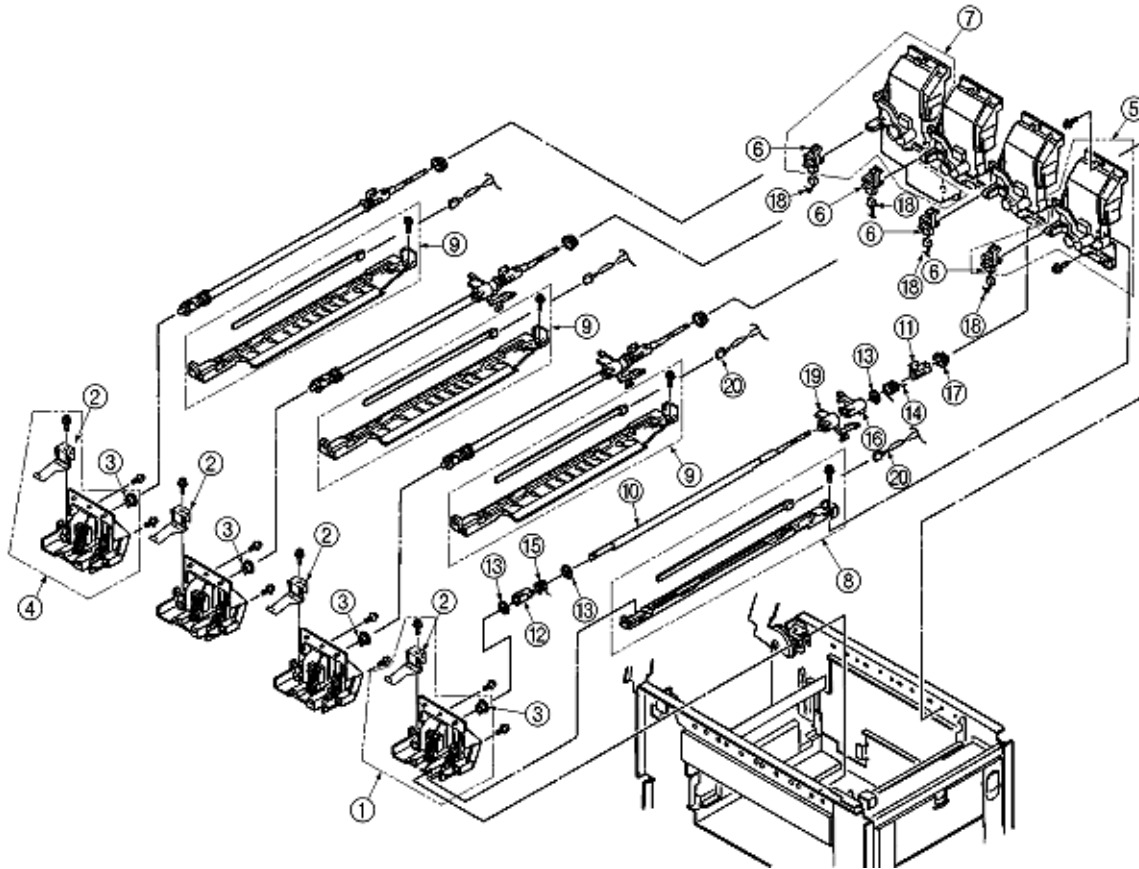


Diagram Number	OKI Part Number	Univerisal Part Number	Part Description
----------------	-----------------	------------------------	------------------

1	40324501		Contact (BL-L) Assy.
2	40278101		Plate Earth (LK)
3	51608901		Bearing
4	40324401		Contact (CL-L) Assy.
5	40324601		Contact Bkt (BL R) assy
6	40135301		Photo Interrupter
7	40309001		Contact BKT (CL-R) Assy
8	40308501		Eraser BKT Assy.
9	40324301		Eraser BKT (KCM) Assy.
10	40167901		Shaft Link
11	40132301		Lever Link (R)
12	40132401		Lever Link(L)
13	50705301		E Ring
14	40168401		Spring Support (R)
15	40188501		Spring Support (L)
16	40136201		Bracket Sensor Toner (KCM)
17	0	PP3522-3568P001	Bearing
18	40173301		AMP14P-AMP3PX4
19	40449501		Sensor Assy. T (KCM)
20	40172701		AMP8P-AMP2PX4

Copyright 1998, Okidata, Division of OKI America, Inc. All rights reserved. See the OKIDATA Business Partner Exchange (BPX) for any updates to this material. (<http://bpx.okidata.com>)

Service Guide - OKIPAGE 8c
Chapter A Illustrated Parts List

Diagram A5: Main Chassis Motor/PCB

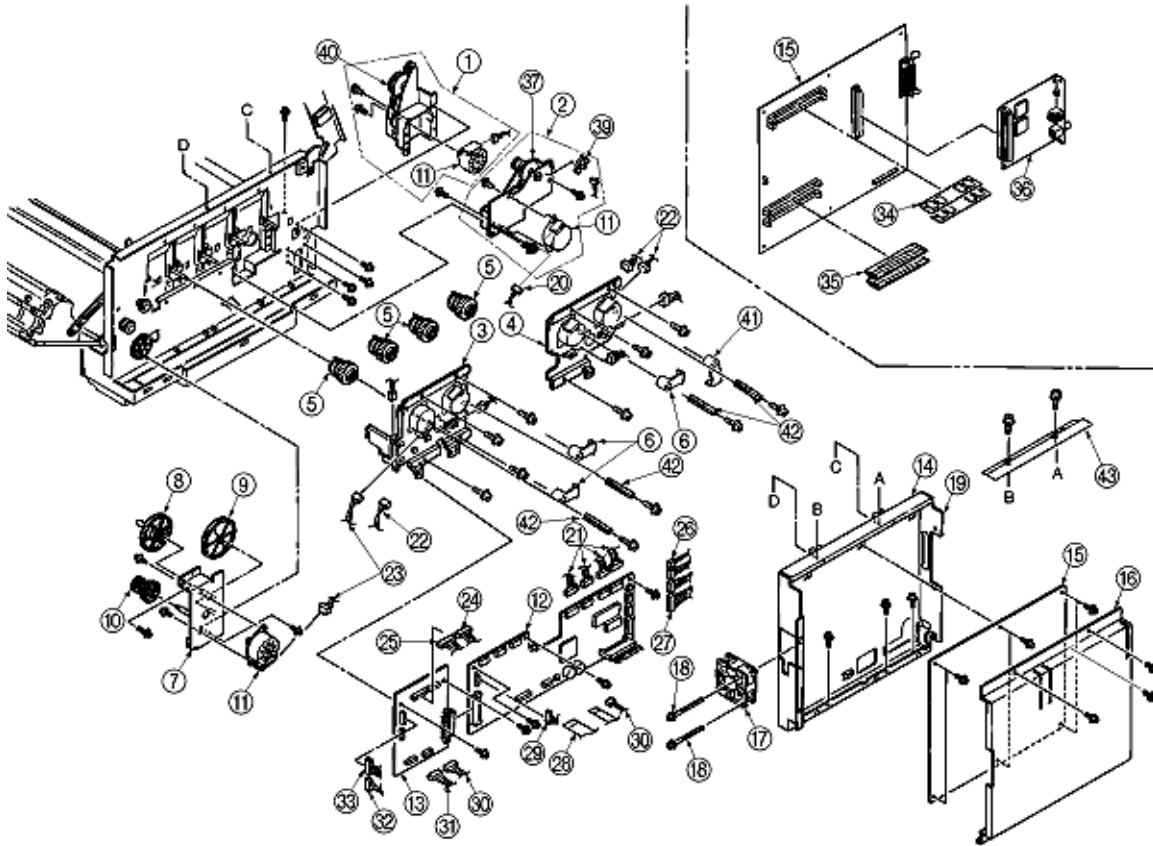


Diagram Number	OKI Part Number	Univerisal Part Number	Part Description
----------------	-----------------	------------------------	------------------

1	40310001	Gear Heat Assy.
2	40392301	Motor Assy. Belt
3	40309101	Main Motor (A) Assy.
4	40309201	Main Motor (B) Assy.
5	40208101	Gear Oneway (Z30)
6	40664401	LEVER: UP/DOWN 2 (YMC)
7	40175001	Bracket Hopping Motor
8	40143401	Gear Idle (92)
9	40143501	Gear Feed (118/17)
10	40164401	Gear Oneway (Z48/74)
11	40124101	Motor Pulse (ID)
12	40634102	PCB: PX4 (Engine)
13	40437201	PCB: PXF
14	40233901	Cover CU
15	40604802	PCB: PCR (Main)
16	40376901	Plate Sealed
17	40197101	Motor Fan
18	54122925	Screw
19	40377001	Board IF
20	40171002	AMP8P-AMP4PX2
21	40456101	JST12 AMP15 AMP10 AMP9
22	40173001	AMP12P-AMP3PX2
23	40171001	AMP8P-AMP4PX2
24	40447101	AMP12P-AMP3PX4
25	40173301	AMP14P-AMP3PX4
26	40171801	AMP7P-AMP7P
27	40172401	AMP6P-AMP4P
28	0	HCUJ (1.25)-16F-300
29	40172801	AMP12-AMP4,3X2
30	40447301	Cordwire JST6P-AMP3PX2
31	40177701	Connector Cord
32	40447001	JST8P-JST8P
33	40172701	AMP8P-AMP2PX4
34	000000	PS-SIMM
35	000000	DRAM SIMM
36	0	Network Card
37	40450001	Belt Motor Mech Assy.
38	0	Unknown
39	40135301	Photo Interrupter
40	40448901	Gear Heat Mech Assy.
41	40664501	LEVER: UP/DOWN 2 (K)
42	40583901	Plate-Earth(LKR)
43	40704901	Plate-Shield CU
44	40447201	CONN Cord Wire

Copyright 1998, Okidata, Division of OKI America, Inc. All rights reserved. See the OKIDATA Business Partner Exchange (BPX) for any updates to this material. (<http://bpx.okidata.com>)

Diagram A6: Frame Upper Assy

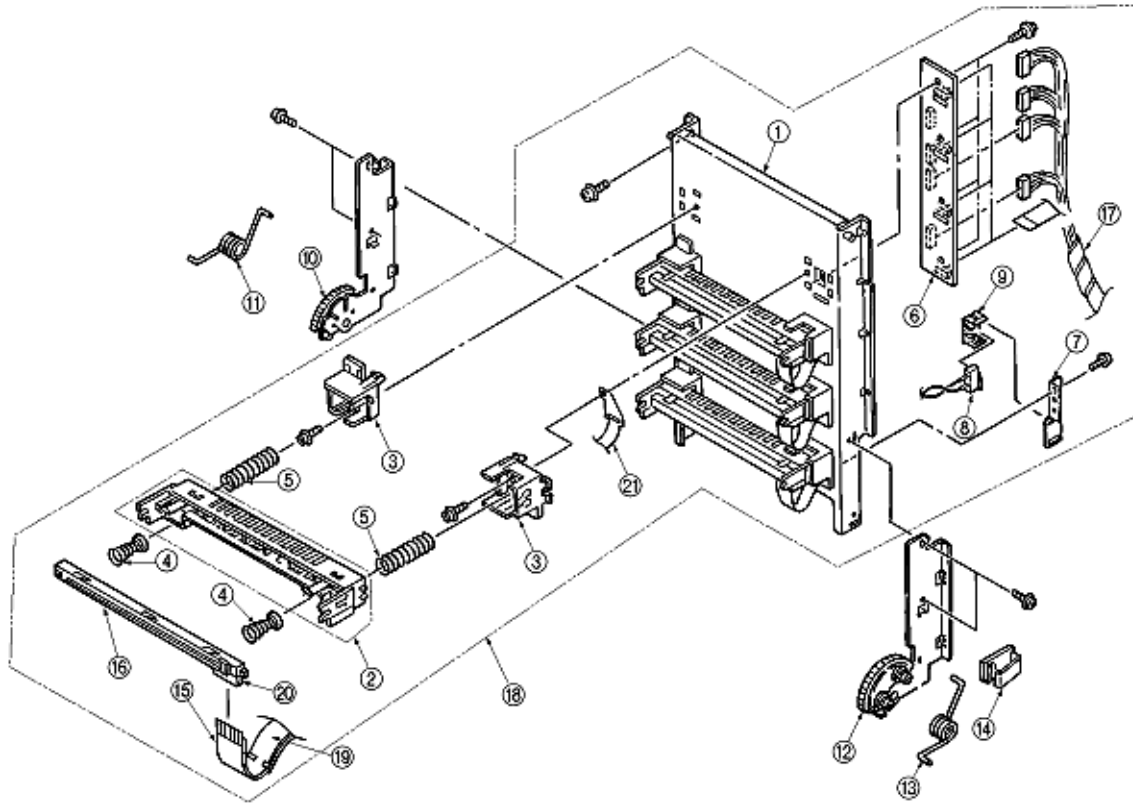


Diagram Number	OKI Part Number	Univerisal Part Number	Part Description
1	40187901		Frame Upper
2	40449101		Holder LED Assy.
3	40187801		Guide Holder
4	40293601		Spring Head
5	40197701		Spring EP
6	40536001		PCB: PD6 Board
7	40394201		Plate Oil Sensor
8	40171702		AMP2P-MSW
9	40408601		Holder Switch
10	40449301		Plate Support (L) Assy.
11	40197401		Torsion Spring (A)
12	40449201		Plate Support (R) Assy.
13	40218301		Torsion Spring (B)
14	56636301		Flat Cable Clip
15	56636201		HCUJ(1.25)-14F-140-10S6(B)-MI(2896)
16	40547301		LED HEAD
17	40456101		JST12 AMP15 AMP10 AMP9
18	40410701		Frame Upper Assy.
19	56636206		HGCUJ(1.25)-12F-160
20	56730960		PXW26-1250B
21	40700401		Film_FG

Copyright 1998, Okidata, Division of OKI America, Inc. All rights reserved. See the OKIDATA Business Partner Exchange (BPX) for any updates to this material. (<http://bpx.okidata.com>)

Diagram A7: Guide Cassette (R) Assy

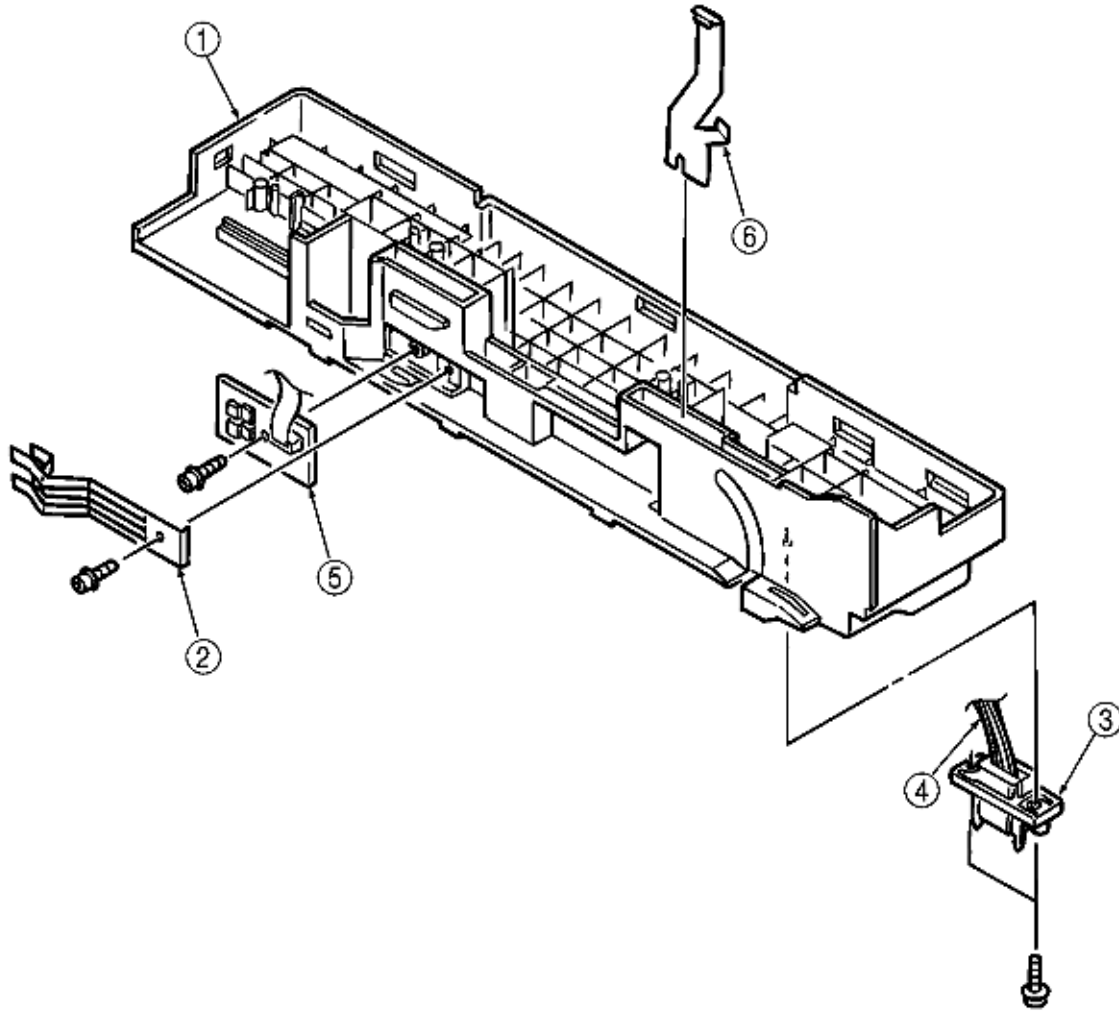


Diagram Number	OKI Part Number	Univerisal Part Number	Part Description
1	40449801		Guide Cassette (R) Sub Assy.
2	50928901		Spring Detector
3	56730640		Square shaped connector
4	40177701		Connector Cord
5	40368301		PCB:PXC
6	53346601		Plate Earth

Diagram A8: Main Motor (A) Assy

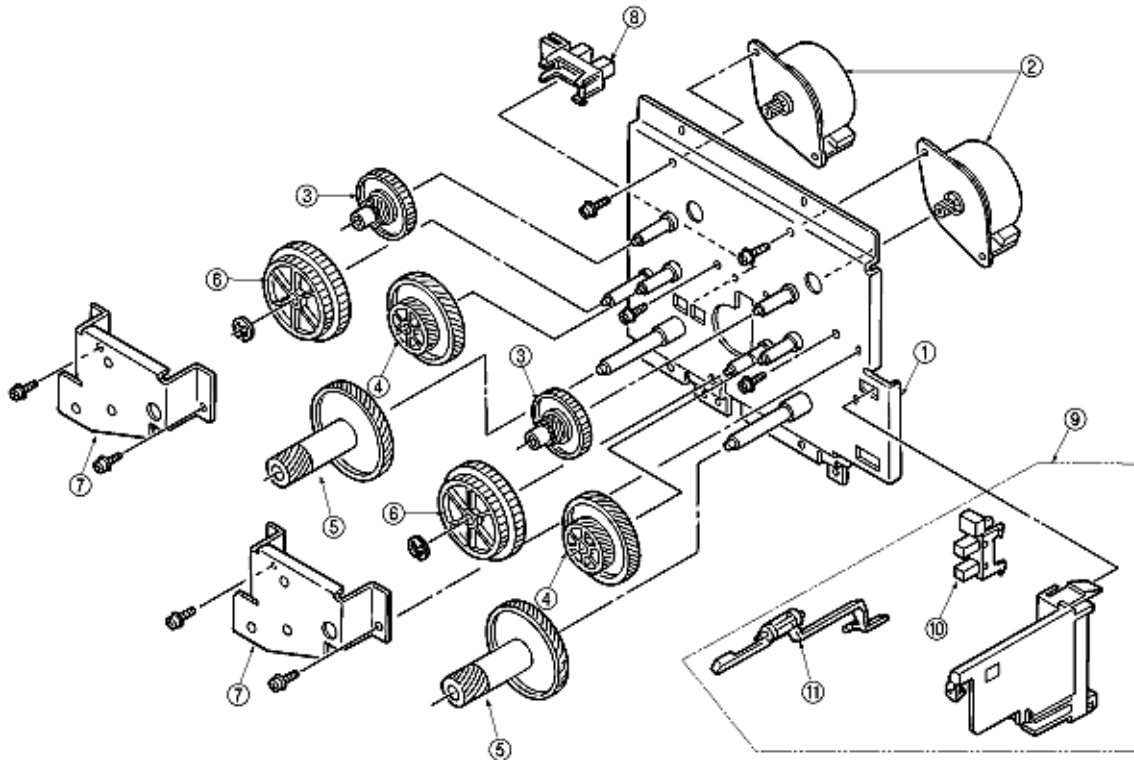


Diagram Number	OKI Part Number	Univerisal Part Number	Part Description
1	40165301		Frame Motor (ID1)
2	40124101		Motor Pulse (ID)
3	40129901		Gear (25/75)
4	40130701		Gear Helical (67/43/24)
5	40130601		Gear Helical (67/18)
6	40130201		Gear Z53/44
7	40129501		Bracket Support (ID)
8	40135301		Photo Interrupter
9	40308601		Toner Sensor (Y) Assy.
10	40135301		Photo Interrupter
11	40449601		Sensor Assy. T (Y)

Diagram A9: Main Motor (B) Assy

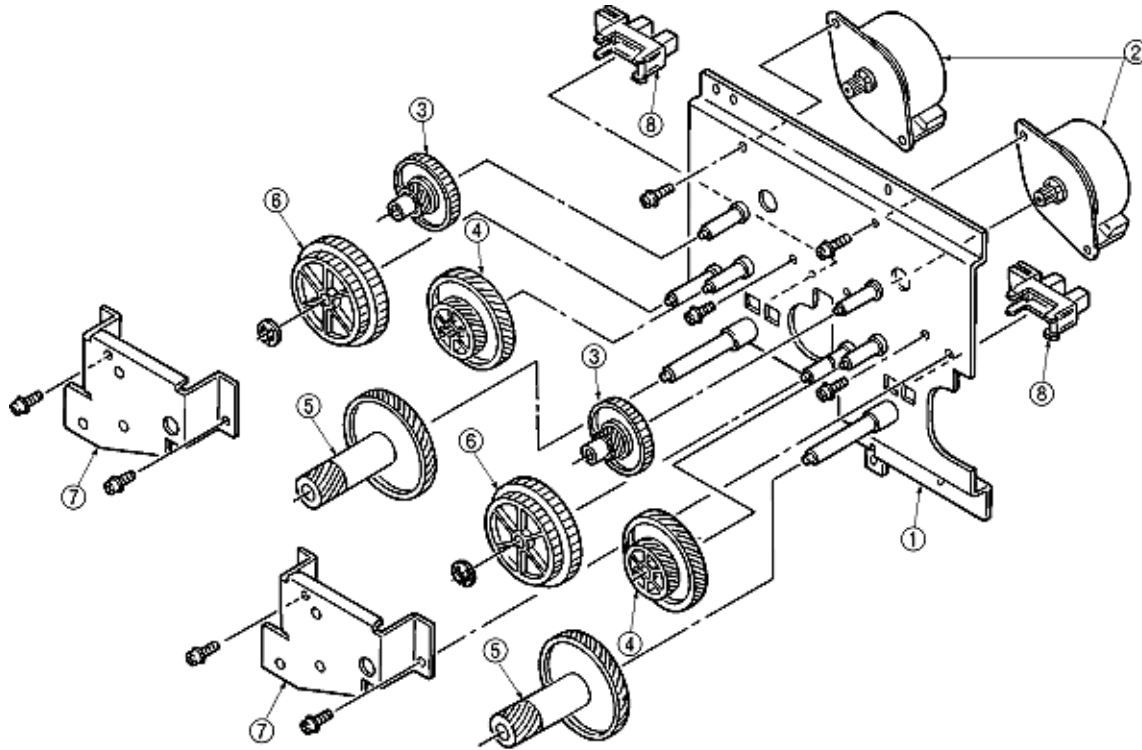


Diagram Number	OKI Part Number	Univerisal Part Number	Part Description
1	40129401		Frame Motor (ID)
2	40124101		Motor Pulse (ID)
3	40129901		Gear (25/75)
4	40130701		Gear Helical (67/43/24)
5	40130601		Gear Helical (67/18)
6	40130201		Gear Z53/44
7	40129501		Bracket Support (ID)
8	40135301		Photo Interrupter



Service Guide - OKIPAGE 8c
Chapter Product Accessory: I. Second Paper Feed

6. PARTS LIST

High Capacity Second Paper Feeder

2nd Tray Assembly

Copyright 1998, Okidata, Division of OKI America, Inc. All rights reserved. See the OKIDATA Business Partner Exchange (BPX) for any updates to this material. (<http://bpx.okidata.com>)



Service Guide - OKIPAGE 8c
Chapter Product Accessory: I. Second Paper Feed

High Capacity Second Paper Feeder

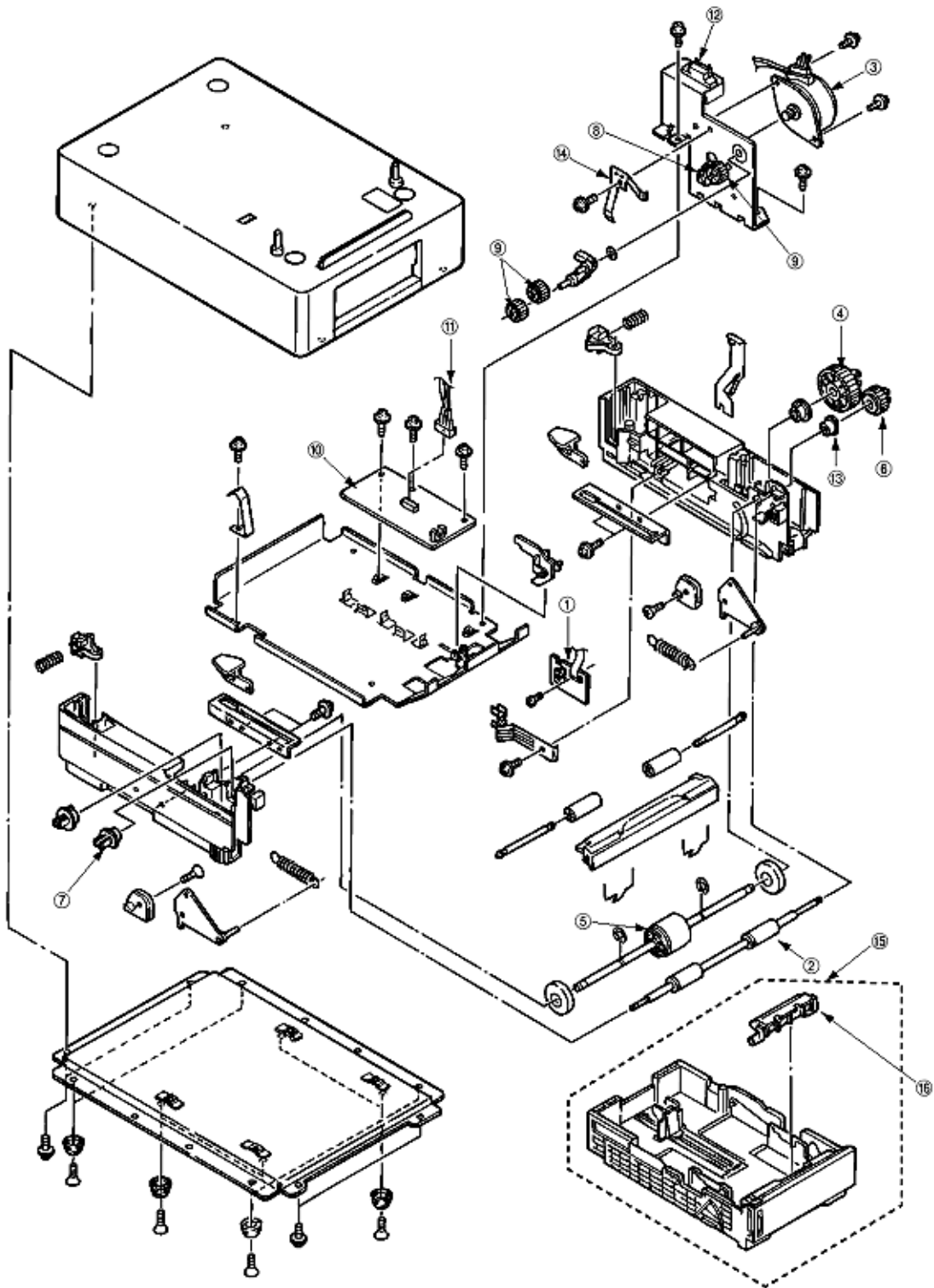


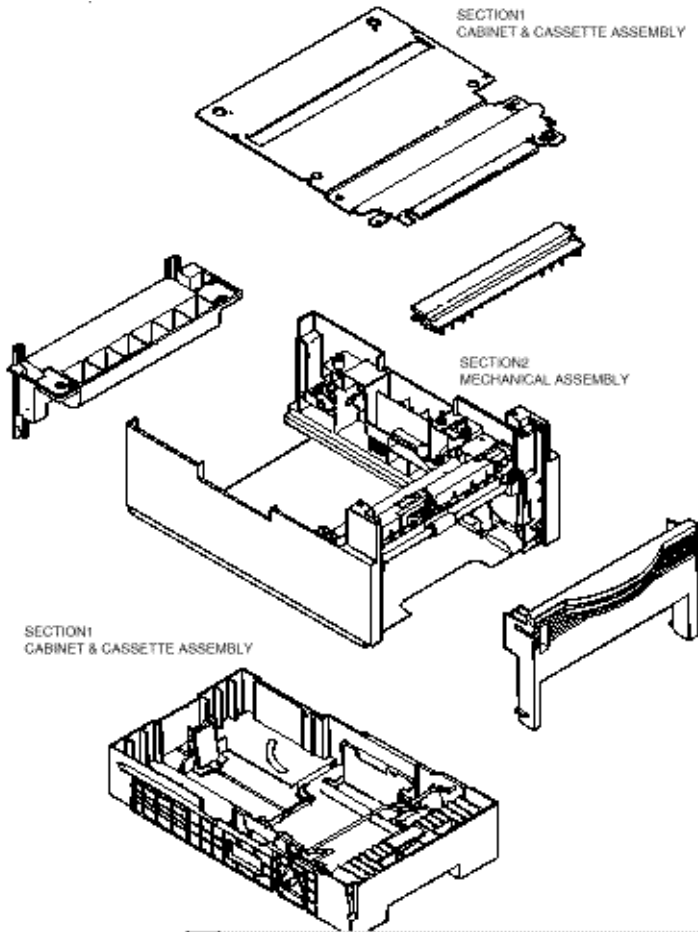
Table 6-1 High Capacity Second Paper Feeder

No.	Description	OKI-J Part #	Qty
1	AOLD-PCB	-	1
2	Feed roller	56408701	1

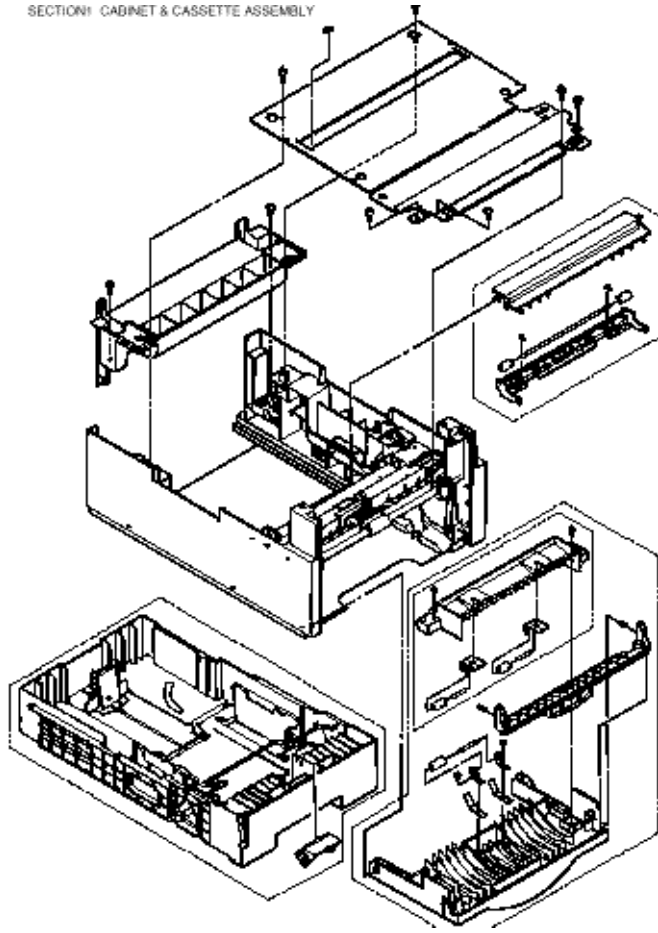
3	Hopping motor	56511901	1
4	Hopping gear	51235001	1
5	Hopping roller assy	50407901	1
6	Feed roller gear	-	1
7	Feed roller bearing	-	1
8	Feed idle gear	51235201	1
9	Planet gear	51235301	3
10	AOLT-PCB	55077511	1
11	Connector Cord	56730803	1
12	Square-shaped connector	56730803	1
13	Bush	56730641	1
14	Shaft earth plate	53346801	1
15	Paper cassette assy	40744401	1
16	Separator frame assy	40607701	1

Copyright 1998, Okidata, Division of OKI America, Inc. All rights reserved. See the OKIDATA Business Partner Exchange (BPX) for any updates to this material. (<http://bpx.okidata.com>)

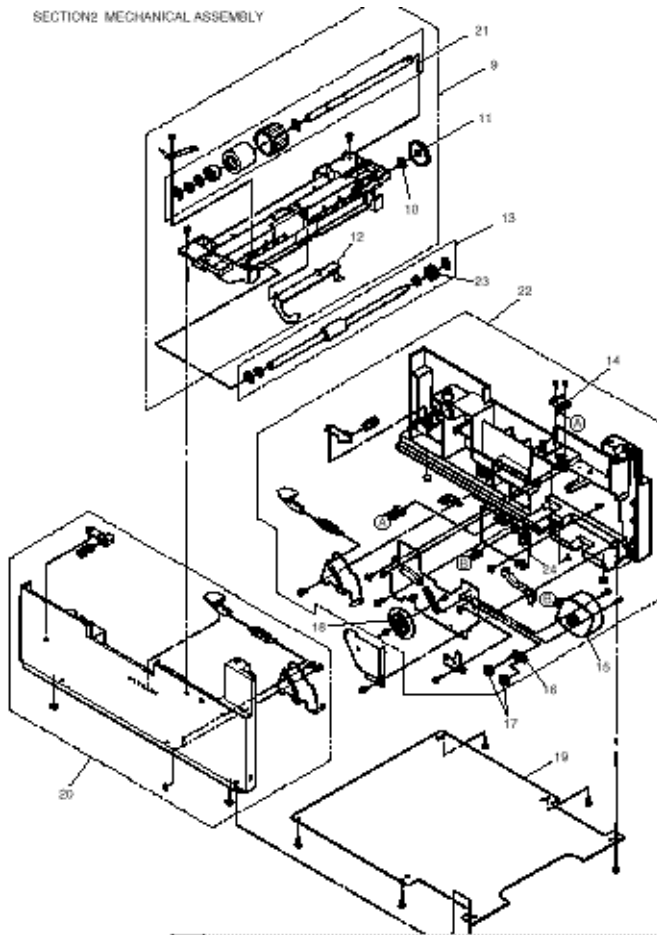
2nd Tray Assembly



SECTION 1: CABINET & CASSETTE ASSEMBLY



SECTION2 MECHANICAL ASSEMBLY



No.	Description	OKI Part No.	Qty/U	500	1000
1	Plate, upper	1PP4122-1401P001	1	3	5
2	Sheet guide assembly	3PA4122-1370G001	1	3	5
3	Front cover assembly	1PA4122-1369G001	1	3	5
4	Inner guide assembly	3PA4122-1371G001	1	3	5
5	Cassette assembly (2nd tray)	1PA4122-1362G004	1	3	6
6	Separation frame assembly	4PP4120-1009G001	1	6	12
7	Cover, rear	1PA4122-1323P001	1	3	5
8	Stick finger	4PB4122-1441P001	1	3	5
9	Hopping flame assembly	1PA4122-1366G001	1	3	6
10	Bush, metal (ADF)	4PP3522-3568P001	1	3	5
11	Gear (z70)	4PP4122-1207P001	1	3	5
12	Lever, sensor (p)	3PP4122-1331P001	1	3	5
13	Feed roller assembly	3PA4122-1393G001	1	3	5
14	Cable & connector	3YS4111-3528P001	1	3	5
15	Stepping motor	3PB4122-1399P001	1	3	6
16	Bracket	4PP4122-1384G001	1	3	5
17	Gear (z24)	4PP4122-1383P001	2	3	5
18	Gear (z87/z60)	4PP4122-1226P001	1	3	5
19	Plate, bottom	2PP4122-1389P001	1	3	5
20	2nd cassette guide (L) assy	1PA4122-1365G001	1	3	6
21	Hopping roller assembly	3PA4122-1367G001	1	3	6
22	2nd cassette guide (R) assy	1YX4122-1364G002	1	3	6

23	One-way clutch gear	4PB4122-1382P001	1	6	12
24	TQSB-2 PCB	4YA4046-1651G002	1	3	6

Copyright 1998, Okidata, Division of OKI America, Inc. All rights reserved. See the OKIDATA Business Partner Exchange (BPX) for any updates to this material. (<http://bpx.okidata.com>)